

CTI-400D

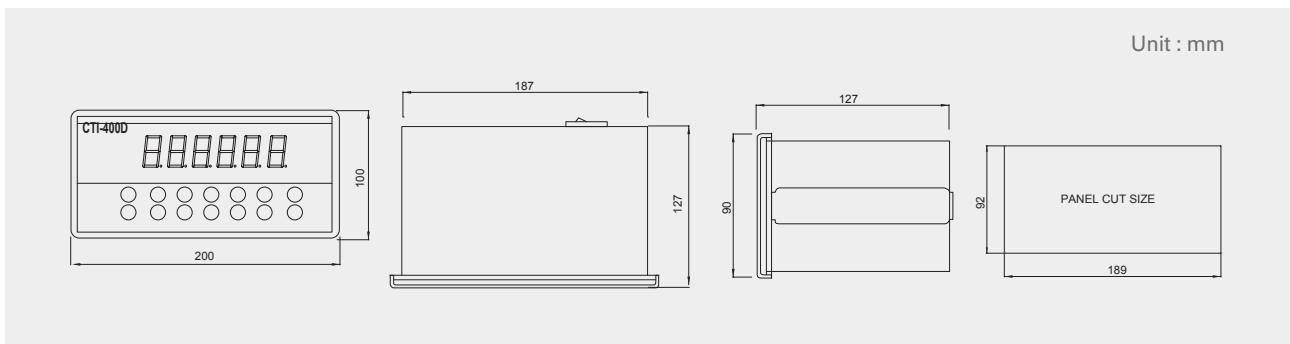
Digital Weighing INDICATOR



FEATURES

- High resolution / Speed
- Multi-step Calibration (5 Step)
- For Digital load cell
- Adjust 4 corner / Axis
- Option : RS485 / Modbus
Analog output
BCD out

DIMENSIONS



INDICATOR
Digital Weighing INDICATOR

SPECIFICATIONS

MODEL	CTI-400D	
DIGITAL LOAD CELL INTERFACE	Excitation Voltage	DC 12 V Max.
	Load cell connection	12EA
	Communication mode	CAN
	Communication speed	2,400 bps ~ 115,200 bps
OPERATION CONDITION	Temperature	-10 ~ 40°C (14 °F ~ 104 °F) Humidity : 40% ~ 80% RH, Non-Condensing
FUNCTION	Calibrationmode	Dead Weight Calibration
	Display	6 Digit, 52.4mm(1inch) RED FND 7 ea Weight unit, RED LED 8 ea tsatedisplay, GREEN LED 12 Point GREEN LED
	Key	14 EA
	External Input	6 EA
	Power Supply	AC 110/220V, 50/60Hz, Aobut 20W
	Serial port1 (RS-232C)	DATA Transmit , Serial Printer , MODBUS (RTU)
	Size	200 (W) × 100(H) × 126.5(D) mm
	Weight	Approx. 1.2 kg