

# CTI-1118

Digital Weighing INDICATOR



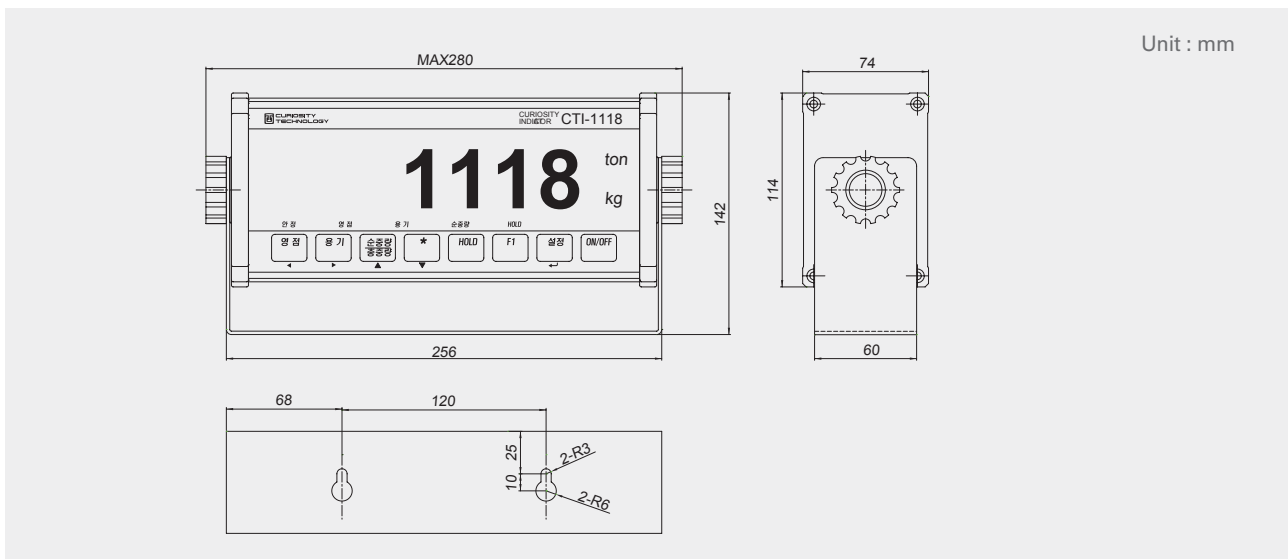
## FEATURES

- Appropriate for weight and measurement system (platform, tank, hopper, etc)
- Easy operation and various options
- Wall Mount Type
- WATCHDOG Circuitry (System restoration)
- Standard RS-232 Serial Interface

## OPTIONS

- Relay Output
- Analog Output (4 ~ 20mA)

## DIMENSIONS



INDICATOR  
Digital Weighing INDICATOR

## SPECIFICATIONS

MODEL	CTI-1118
Load Cell Excitation Voltage	DC 5V, up to 6 x 350 Ω LOAD CELLS
Full Scale Input Signal	20m V including dead load
Zero Adjust Range	-5 mV ~ 5 mV
Input Sensitivity	0.5 μV/D
A/D Internal Resolution	Approximately 1,000,000 counts
A/D External Resolution	5,000 dd (H_44.OIML) / 30,000 dd (Non H_44. OIML)
Operating Time	MORE 50 Hours
Display	LCD 5 Digits
A/D Conversion Speed	20 times / sec
Dimension	186(W) x 74(D) x 114(H) mm
Power	DC 12V, 24V