

CTI-1110P

Digital Weighing INDICATOR



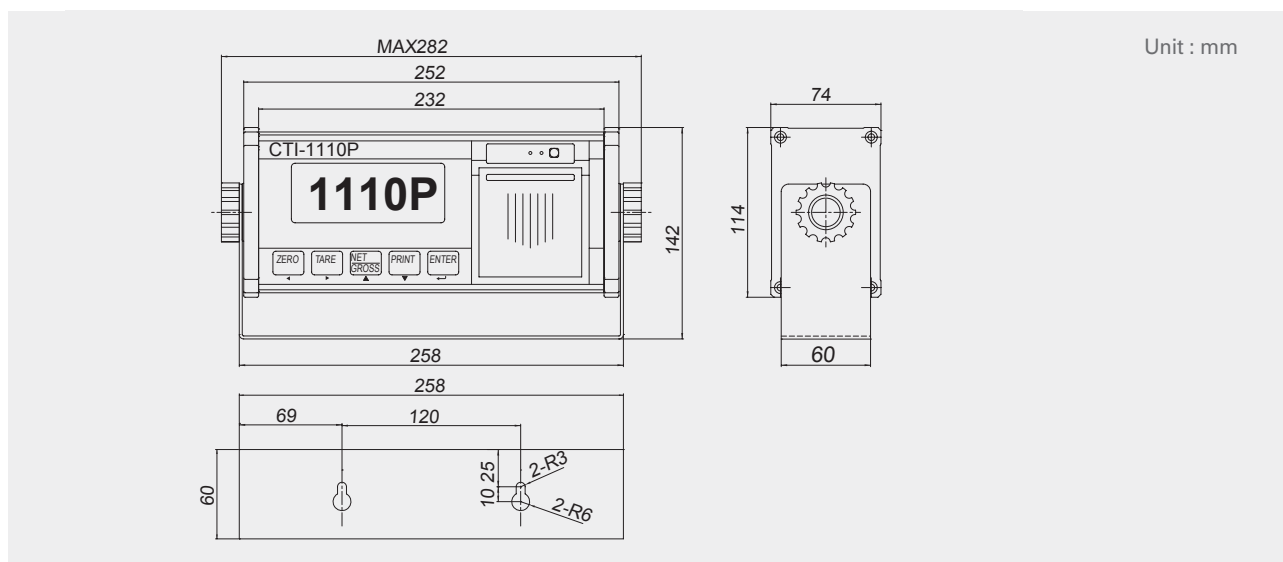
FEATURES

- Built-in Thermal Printer
- Simple Full Digital Calibration
- Easy operation and various options (Single pass automatic span calibration)
- Watchdog Circuitry (System restoration)
- Wall Mount
- Standard RS-232 Serial Interface
- Roll Paper (57mm x 60mm)

OPTIONS

- Relay Output
- Analog Output (0 ~ 10V)
- Analog Output (4 ~ 20mA)
- DC 24V for Truck Vehicle
- Blue Tooth RF Module

DIMENSIONS



SPECIFICATIONS

MODEL	CTI-1110
Load Cell Excitation Voltage	DC 5V, up to 6 x 350 Ω LOAD CELLS
Full Scale Input Signal	20m V including dead load
Zero Adjust Range	-5 mV ~ 5 mV
Input Sensitivity	0.5 μV/D
A/D Internal Resolution	Approximately 1,000,000 counts
A/D External Resolution	5,000 dd (H_44.OIML) / 30,000 dd (Non H_44. OIML)
Operating Time	MORE 50 Hours
Display / Size Of Letter	LCD 5 Digits / 25 mm
A/D Conversion Speed	20 times / sec
Dimension	186(W) x 74(D) x 114(H) mm
Power	AC ADAPTOR (DC 12V)