

CTI-1110

Digital Weighing INDICATOR



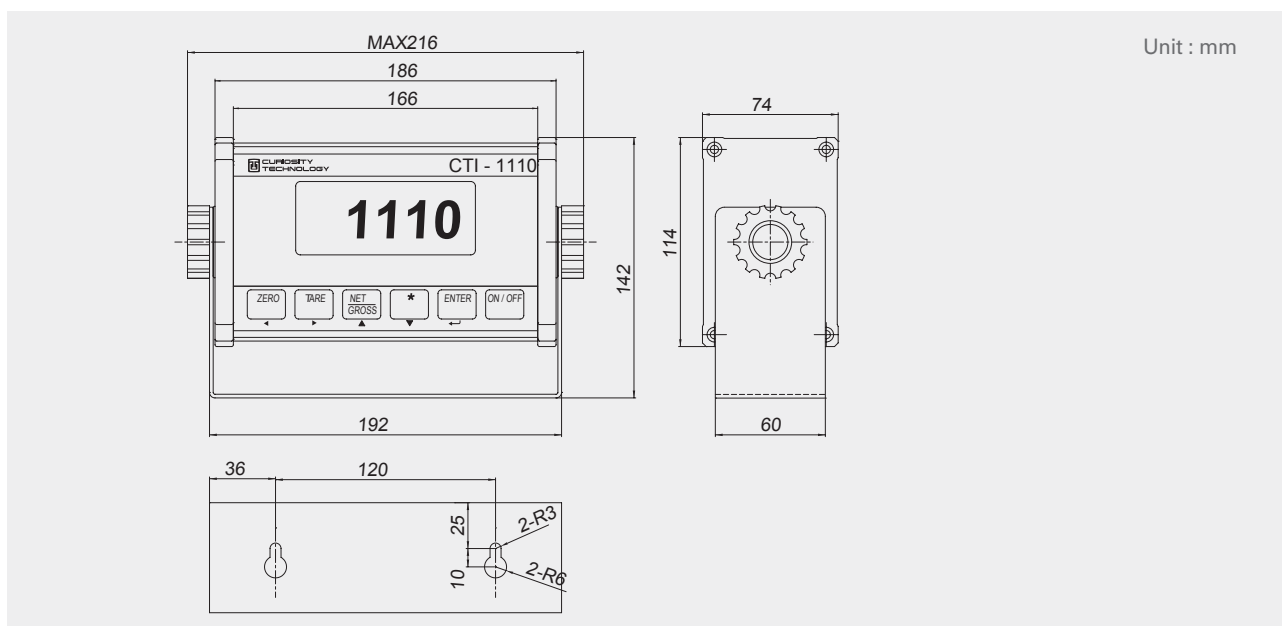
FEATURES

- Appropriate for weight and measurement system (platform, tank, hopper, etc)
- Easy operation and various options
- Wall Mount Type
- WATCHDOG Circuitry (System restoration)
- Standard RS-232 Serial Interface

OPTIONS

- Relay Output
- Analog Output (0 ~ 10V)
- Analog Output (4 ~ 20mA)
- DC 24V for Turck Vehicle
- Inner Rechargeable Battery
- Blue Tooth RF Module

DIMENSIONS



INDICATOR
Digital Weighing INDICATOR

SPECIFICATIONS

MODEL	CTI-1110
Load Cell Excitation Voltage	DC 5V, up to 6 x 350 Ω LOAD CELLS
Full Scale Input Signal	20mV including dead load
Zero Adjust Range	-5 mV ~ 5 mV
Input Sensitivity	0.5 μV/D
A/D External Resolution	Approximately 1,000,000 counts
A/D External Resolution	5,000 dd (H_44.OI ML) / 30,000 dd (Non H_44. OI ML)
Operating Time	MORE 50 Hours
A/D Conversion Speed	20 times / sec
Dimension	186(W) x 74(D) x 114(H) mm
Power	AC ADAPTOR (DC 12V)