

# CTI-100

DIGITAL WEIGHT INDICATOR

www.curiotec.com



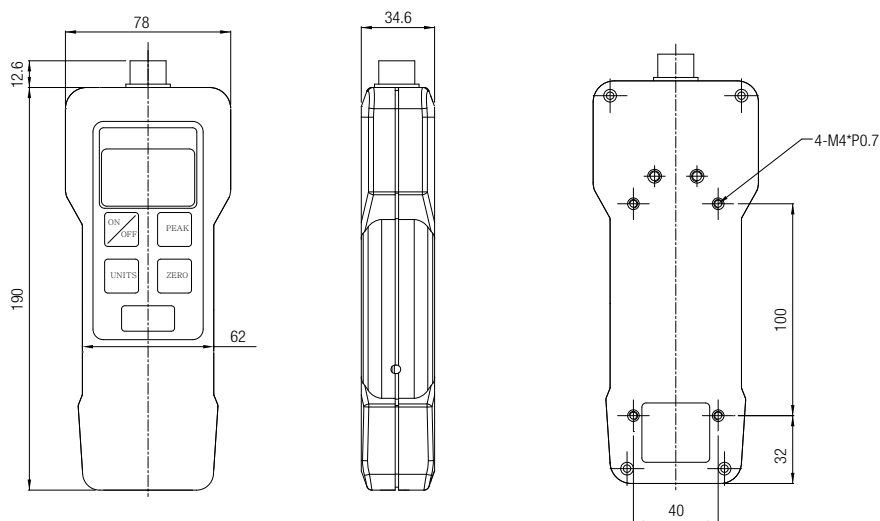
## ◎ FEATURES

- Portable Battery Operated Type
- Easy operation and various options
- Simple full digital calibration  
(Single pass automatic span calibration)
- Watchdog circuitry (System restoration)
- RS-232C

## ◎ OPTIONS

1. Inner Battery (7.2V, 2000mA)
2. Blue-tooth
3. Instrument for Volt/Current

## ◎ DEMENSIONS-mm



## ◎ SPECIFICATIONS

| Item                         | Description  |
|------------------------------|--|
| LOAD CELL EXCITATION VOLTAGE | DC 5V, UP TO 6 x 350 ohm LOAD CELLS                |
| FULL SCALE INPUT SIGNAL      | 20mV including dead load                           |
| ZERO ADJUST RANGE            | -5mV ~ 5mV   |
| INPUT SENSITIVITY            | 0.5 $\mu$ V/D                                      |
| A/D INTERNAL RESOLUTION      | Approximately 1,000,000 counts                     |
| A/D EXTERNAL RESOLUTION      | 5,000 dd (H_44.OI ML) / 30,000 dd (Non H_44.OI ML) |
| A/D CONVERSION SPEED         | 20 times/sec                                       |
| DISPLAY / SIZE OF LETTER     | LCD 5 Digit, 10mm                                  |
| DIMENSION                    | 96(W) $\times$ 112(D) $\times$ 48(H)               |
| POWER                        | AC CHARGER ADAPTOR (DC 12V)                        |
| OPERATING TIME               | Over 20 Hour                                       |