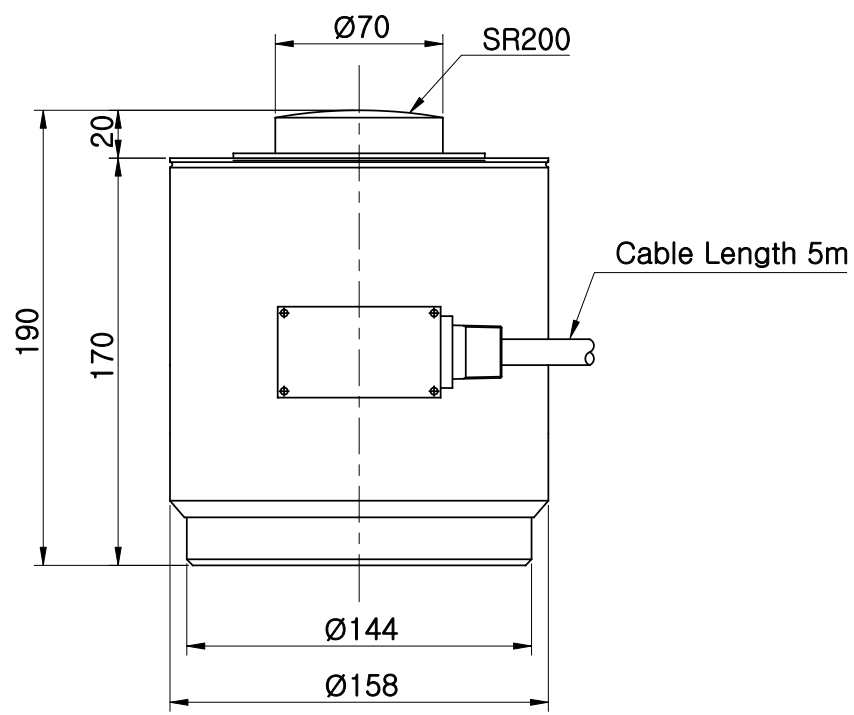
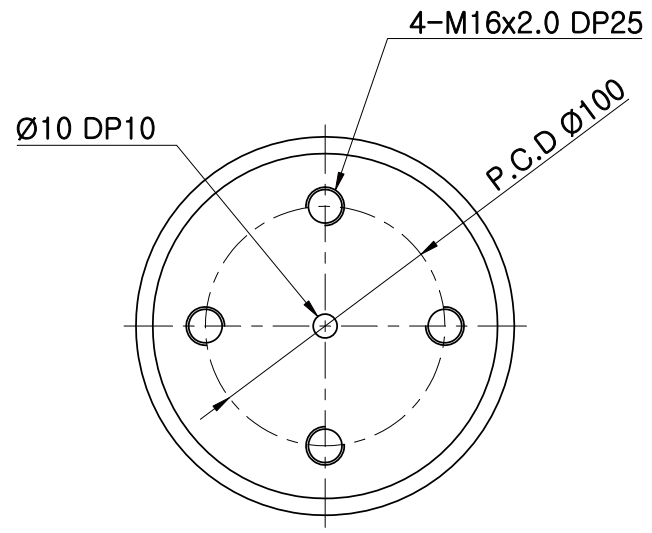
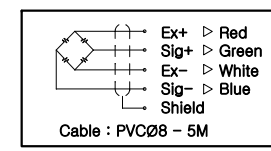


REVISIONS		DESCRIPTION	DRAWN	CHECKED	APPROVED
REV	DATE				
0	-	-	-	-	-



Capacity(용량)	tf	100
Rated Output(정격 출력)	mV/V	2.0±0.005
Zero Balance(무부하 범위)	mV/V	0.0±0.02
Combined Error(종합 오차)	%RO	0.10
Repeatability(반복 출력 허용)	%RO	0.10
Creep for (30min)N분출력편차	%RO	0.03
Temperature effect on(온도변화에 따른 범위)		
Zero Value(영점값)	%RO/10°C	0.03
Output Value(출력값)	%RO/10°C	0.03
Excitation(인가전압)		
Recommended(권고 전압)	V	10
Maximum(최대 전압)	V	15
Resistance(저항)		
Input(입력저항)	Ω	350±3.5
Output(출력저항)	Ω	350±3.5
Insulation(절연저항)	MΩ	>2000@50V DC
Compensated Temp.Range	°C	-10 ~ +40
Operating Temp.Range(작동범위)	°C	-20 ~ +80



NO	TITLE	MATERIAL	Q'TY	REMARKS	
TOLERANCES UNLESS OTHERWISE SPECIFIED		NAME OR TITLE CHCP-100T SPEC		CURIOSITY TECHNOLOGY CURIOTEC. CO. LTD 581-1, Yongmi-ri, Goangtan-myeon, Paju-si, Gyeonggi-do, South KOREA, 413-855	
ANGULAR ± 0.1		FIRST USED IN ASSEMBLY			
DECIMAL ± 0.1		FIRST MADE FOR		MATERIAL Paint finished steel	
Q'TY/SET		CONTRACT OR CUSTOMER NO		END FINISH	
		DRAWN		DIMENSIONS ARE IN (MM), INCH	
G.J.HAN		CHECKED 1	CHECKED 2	APPROVED	SCALE N/S
2020.02.03					DRAWING.PART NO. CHCP-100T -SPEC
					REV 0