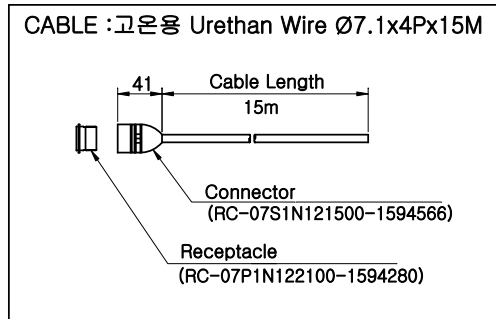


REV	DATE	DESCRIPTION	DRAWN	CHECKED	APPROVED
-----	------	-------------	-------	---------	----------

Capacity(용량)	tf	200
Rated Output(정격 출력)	mV/V	1.6±0.1
Zero Balance(무부하 범위)	mV/V	0.0±0.02
Combined Error(종합 오차)	%RO	0.1
Repeatability(반복 출력 허용)	%RO	0.1
Creep for (30min)N분출력편차	%RO	0.1
Temperature effect on(온도변화에 따른 범위)		
Zero Value(영점값)	%RO/10°C	0.03
Output Value(출력값)	%RO/10°C	0.03
Excitation(인가전압)		
Recommended(권고 전압)	V	10
Maximum(최대 전압)	V	15
Resistance(저항)		
Input(입력저항)	Ω	800±40
Output(출력저항)	Ω	700±7
Insulation(절연저항)	MΩ	>2000@50V DC
Compensated Temp.Range	°C	-10 ~ +130
Operating Temp.Range(작동범위)	°C	-20 ~ +150



Cable Color Code

Ex+	▷ Black
Ex-	▷ White
Sig+	▷ Green
Sig-	▷ Blue
Shield	

NO	TITLE	MATERIAL	Q'TY	REMARKS		
TOLERANCES UNLESS OTHERWISE SPECIFIED		NAME OR TITLE		CURIOSITY TECHNOLOGY CURIOTEC. CO. LTD 581-1, Yongmi-ri, Goangtan-myeon, Palu-si, Gyeonggi-do, South KOREA, 413-855		
ANGULAR ± 0.1		CDSBP-T200 SPECIFICATION				
DECIMAL ± 0.1		FIRST USED IN ASSEMBLY	MATERIAL	Nickel Plated Steel		
Q'TY/BET		FIRST MADE FOR	END FINISH			
CONTRACT OR CUSTOMER NO		DIMENSIONS ARE IN (MM), INCH				
DRAWN	CHECKED 1	CHECKED 2	APPROVED	SCALE	DRAWING.PART NO.	REV
HB.S				N/S	CDSBP-T200 -SPEC	0
2019.07.30						