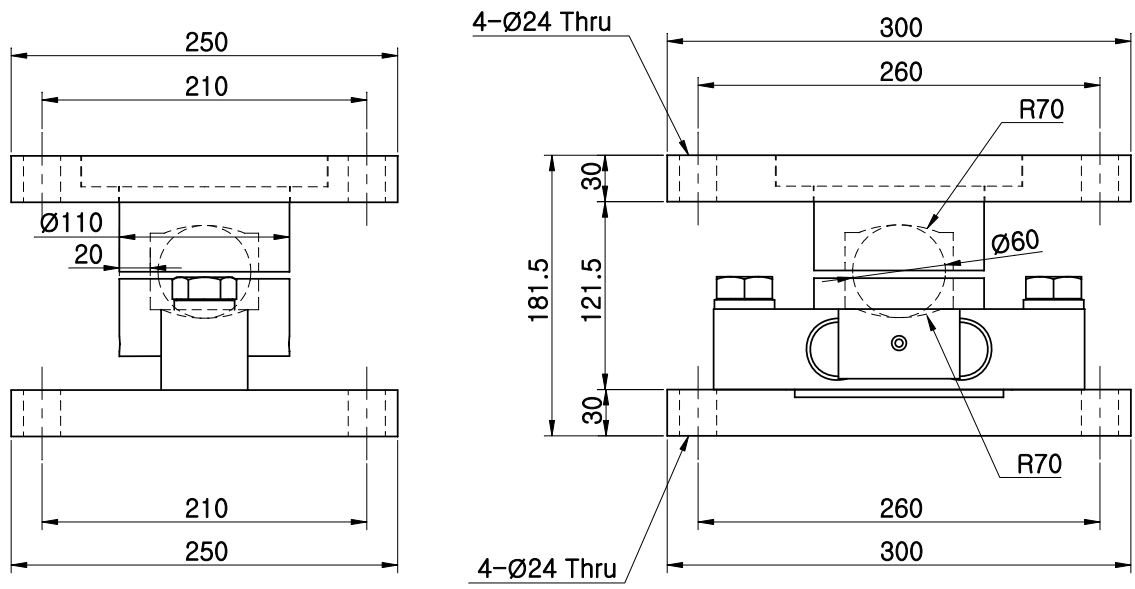


Capacity(용량)	tf	10
Rated Output(정격 출력)	mV/V	2.0±0.01
Zero Balance(무부하 범위)	mV/V	0±0.1
Combined Error(종합 오차)	%RO	0.03
Repeatability(반복 출력 허용)	%RO	0.03
Creep for (30min)N분출력편차	%RO	0.03
Temperature effect on(온도변화에 따른 범위)		
Zero Value(영점값)	%RO/10°C	0.03
Output Value(출력값)	%RO/10°C	0.03
Excitation(인가전압)		
Recommended(권고 전압)	V	10
Maximum(최대 전압)	V	15
Resistance(저항)		
Input(입력저항)	Ω	800±40
Output(출력저항)	Ω	700±7
Insulation(절연저항)	MΩ	>2000
Compensated Temp.Range	°C	-10 ~ +40
Operating Temp.Range(작동범위)	°C	-20 ~ +80



NO	TITLE	MATERIAL	Q'TY	REMARKS		
TOLERANCES UNLESS OTHERWISE SPECIFIED		NAME OR TITLE		CURIOSITY TECHNOLOGY CURIOTEC. CO. LTD 581-1, Yongmi-ri, Goangtan-myeon, Paju-si, Gyeonggi-do, South KOREA, 413-855		
ANGULAR ± 0.1		CDSBP-10T SPECIFICATION				
DECIMAL ± 0.1		FIRST USED IN ASSEMBLY	MATERIAL	Nickel Plated Steel		
Q'TY/SET		FIRST MADE FOR	END FINISH			
CONTRACT OR CUSTOMER NO		DIMENSIONS ARE IN (MM), INCH				
DRAWN	CHECKED 1	CHECKED 2	APPROVED	SCALE	DRAWING.PART NO.	REV
HB.S				N/S	CDSBP-10T -SPEC	0
2019.08.30						