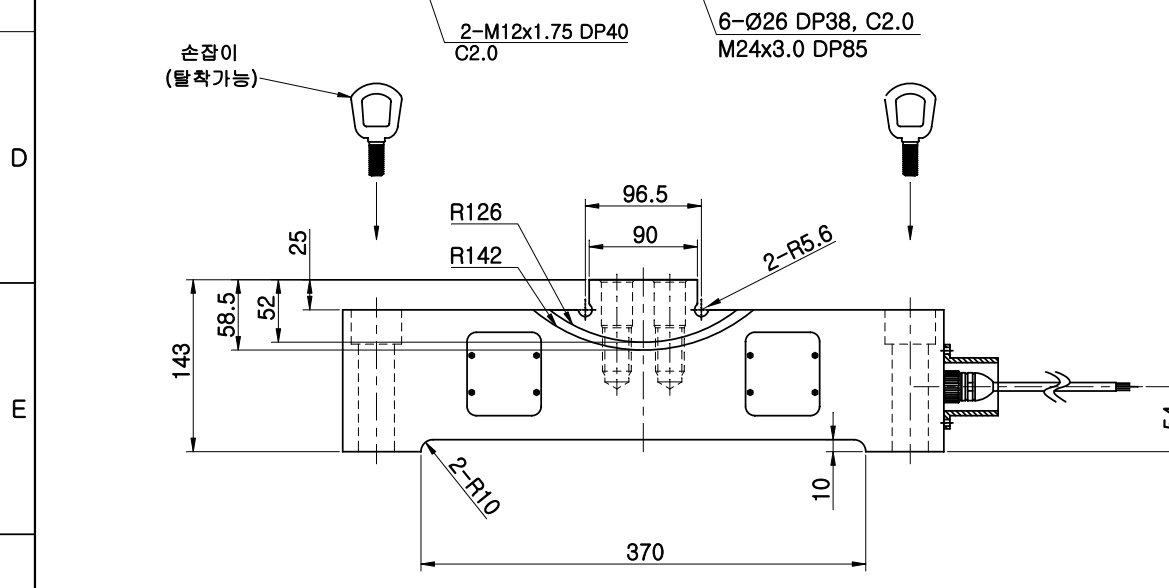
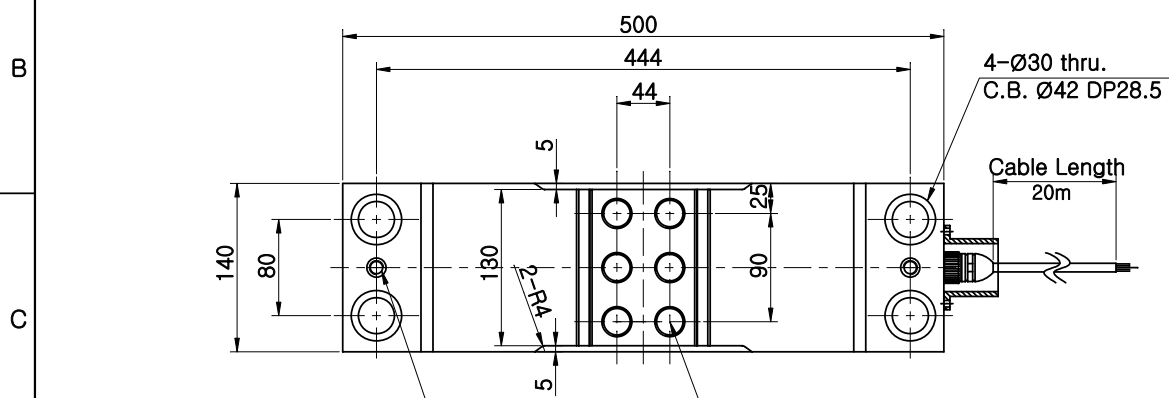


1	2	3	4	5	6	7	8			
					REV	DATE	DESCRIPTION	DRAWN	CHECKED	APPROVED

Capacity(용량)	tf	100
Rated Output(정격 출력)	mV/V	1.38±0.138
Zero Balance(무부하 범위)	mV/V	0.0±0.02
Combined Error(종합 오차)	%RO	≤0.1
Repeatability(반복 출력 허용)	%RO	0.05
Creep for (30min)N분출력편차	%RO	0.05
Temperature effect on(온도변화에 따른 범위)		
Zero Value(영점값)	%RO/10°C	0.05
Output Value(출력값)	%RO/10°C	0.05
Excitation(인가전압)		
Recommended(권고 전압)	V	10
Maximum(최대 전압)	V	15
Resistance(저항)		
Input(입력저항)	Ω	800±40
Output(출력저항)	Ω	700±7
Insulation(절연저항)	MΩ	>2000
Compensated Temp.Range	°C	+50 ~ +150
Operating Temp.Range(작동범위)	°C	-20 ~ +180



CABLE : 고온용 Teflon Cable Ø7.1x4Px20m

Cable Color Code

- Ex+ ▷ Red
- Ex- ▷ White
- Sig+ ▷ Green
- Sig- ▷ Blue
- Shield

Connector (Phoenix Contact社)
(RC-07S1N121500-1594566)

Receptacle
(RC-07P1N122100-1594280)

NO	TITLE	MATERIAL	Q'TY	REMARKS		
TOLERANCES UNLESS OTHERWISE SPECIFIED		NAME OR TITLE		CURIOSITY TECHNOLOGY CURIOTECH. CO. LTD 581-1, Yongmi-ri, Goangtan-myeon, Paju-si, Gyeonggi-do, South KOREA, 413-855		
ANGULAR ± 0.1		CDSBP-T100 SPECIFICATION				
DECIMAL ± 0.1		FIRST USED IN ASSEMBLY		MATERIAL Nickel Plated Steel		
Q'TY/SET		FIRST MADE FOR		END FINISH		
CONTRACT OR CUSTOMER NO				DIMENSIONS ARE IN (MM), INCH		
DRAWN	CHECKED 1	CHECKED 2	APPROVED	SCALE	DRAWING.PART NO.	REV
HB.S				N/S	CDSBP-T100 -SPEC	0
2019.08.30						