



FEATURES

- Low cost
- Off center compensated
- Protection class IP65

Material

- Anodized Aluminum

Cable

- Braided shield 4-wire round cable with PVC - jacket

Mounting

- Socket-head cap screw
- M6 x 1.0 (10.9)
- Tightening torque : 14Nm

Maximum Platform Size

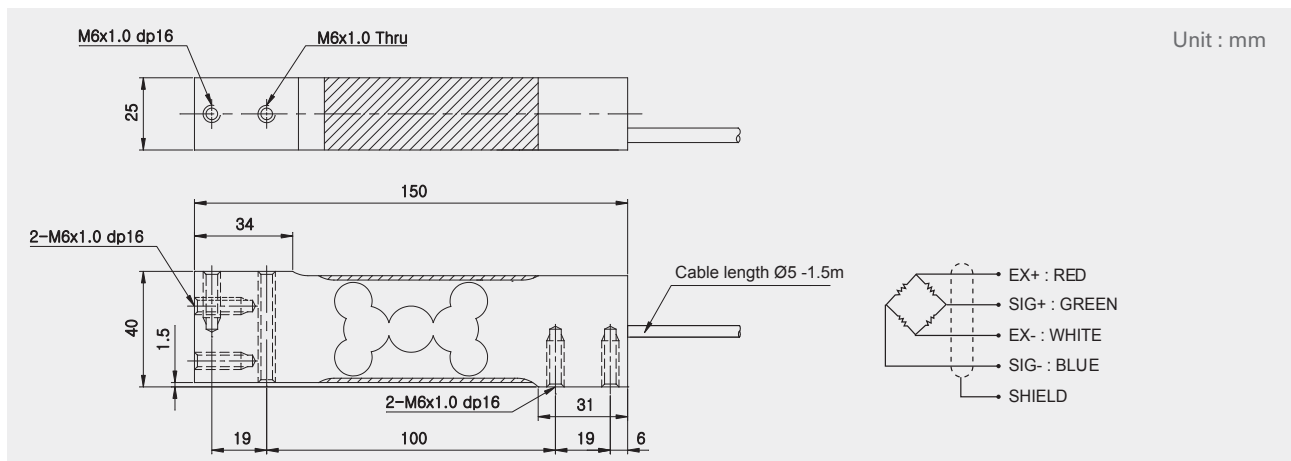
- 400 x 400 mm

Ordering Information

- CBCA -xxx "L"

└── Capacity in kgf

DIMENSIONS



SPECIFICATIONS

| Max. Capacity | kgf | 5, 10, 15, 20, 30, 50, 75, 100 kgf | |
|-------------------------|----------|------------------------------------|-------|
| Rated output | mV/V | 2.0 ± 0.2 | |
| Zero balance | mV/V | 0 ± 0.1 | |
| Accuracy class | | D3 | C3 |
| Combined error | %RO | 0.03 | 0.03 |
| Repeatability | %RO | 0.02 | 0.01 |
| Creep (30min.) | %RO | 0.03 | 0.017 |
| Temperature effect on | | | |
| Zero value | %RO/10°C | 0.03 | 0.014 |
| Output value | %RO/10°C | 0.03 | 0.011 |
| Excitation | | | |
| Recommended | V | 10 | |
| Maximum | V | 15 | |
| Resistance | | | |
| Input | Ω | 400 ± 20 | |
| Output | Ω | 350 ± 3.5 | |
| Insulation | MΩ | >2,000 @ 50V DC | |
| Compensated temp. range | °C | -10 ~ +40 | |
| Operating temp. range | °C | -20 ~ +80 | |