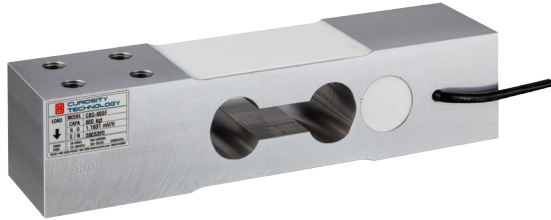


CBC-F

Single Point Load Cell
300, 600 kgf



FEATURES

- Low cost
- Off center compensated
- Protection class IP65

Material

- Anodized Aluminum

Cable

- Braided shield 4-wire round cable with PVC - jacket

Mounting

- Socket-head cap screw
- M12 x 1.75 (10.9)
- Tightening torque : 100Nm

Maximum Platform Size

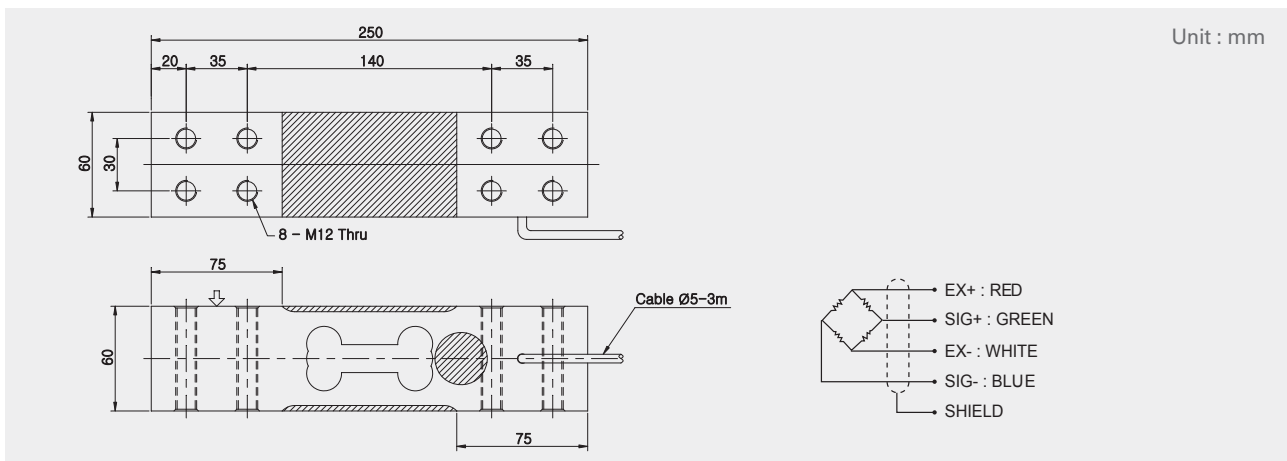
- 600 x 600 mm

Ordering Information

- CBC -xxx "F"

└── Capacity in kgf

DIMENSIONS



SPECIFICATIONS

Max. Capacity		kgf	300, 600 kgf
Rated output		mV/V	1.2 (Approx.)
Zero balance		mV/V	0 ± 0.1
Temperature effect on	Combined error	%RO	0.03
	Repeatability	%RO	0.01
	Creep (30min.)	%RO	0.03
	Zero value	%RO/10°C	0.04
	Output value	%RO/10°C	0.015
Excitation	Recommended	V	10
	Maximum	V	15
Resistance	Input	Ω	400 ± 20
	Output	Ω	350 ± 3.5
	Insulation	MΩ	>2,000 @ 50V DC
Compensated temp. range		°C	-10 ~ +40
Operating temp. range		°C	-20 ~ +80