

# CBC-AS

## Single point load cell

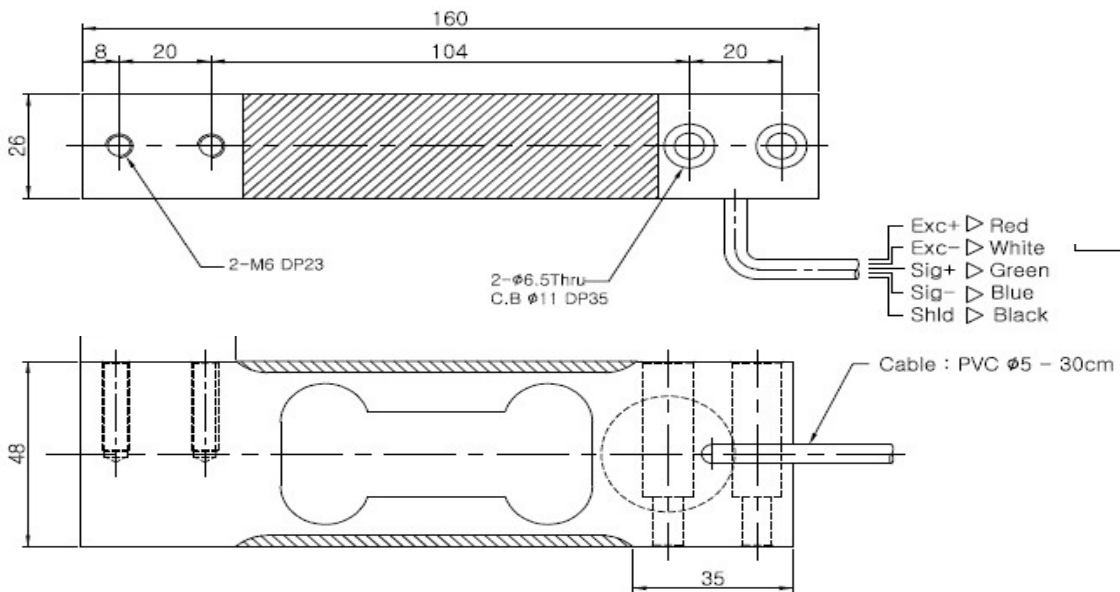
3, 5, 12,15, 30 kgf



### Maximum Platform Size

- 400 × 400 mm

### DIMENSIONS



### FEATURES

- Low capacity single point
- Off center compensated

### Material

- Anodized Aluminum

### Cable

- Braided shield 4-wire round cable with PVC -jacket

### Ordering information

- CBC-xxx "AS"

Capacity in kgf

### SPECIFICATIONS

Max. Capacity	kgf	3, 5, 12, 15, 30 kgf
Rated output	mV/V	1.2 ( Approx )
Zero balance	mV/V	0.0 ± 0.06
Combined error	%	0.03
Repeatability	%	0.01
Creep(30min.)	%	0.03
Temperature effec on		
Zero value	%/10°C	0.04
Output value	%/10°C	0.015
Excitation		
Recommended	V	10
Maximum	V	15
Resistance		
Input	Ω	400 ± 50
Output	Ω	350 ± 3.5
Insulation	MΩ	> 2,000 @50V DC
Compensated temp.range	°C	-10 ~ +40
Operating temp. range	°C	-20 ~ +70

\* Specifications are subject to change without notice