

BCS-W

Single Point Load Cell
30, 60, 100, 150, 200 kgf



FEATURES

- Stainless steel construction
- Fully environmental protection
- Protection class IP67

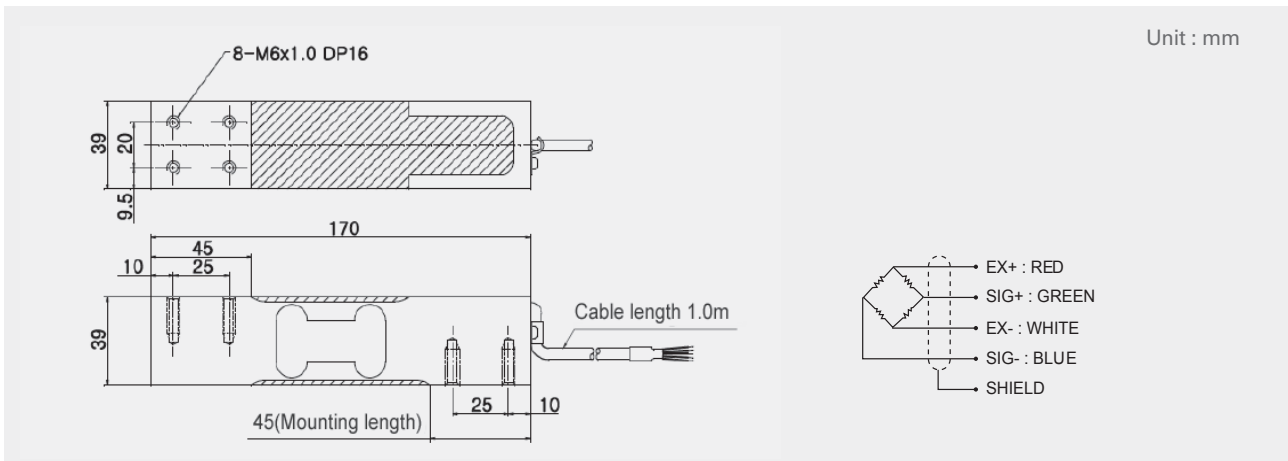
Material

- Stainless steel construction

Cable

- Braided shield 4-wire round cable with PVC - jacket

DIMENSIONS



SPECIFICATIONS

Max. Capacity		kgf	30, 60, 100, 150, 200 kgf
Rated output		mV/V	1.0 ± 0.1
Zero balance		mV/V	0 ± 0.1
Combined error		%RO	0.03
Repeatability		%RO	0.01
Creep (30min.)		%RO	0.03
Temperature effect on	Zero value	%RO/10°C	0.028
	Output value	%RO/10°C	0.014
Excitation	Recommended	V	10
	Maximum	V	15
Resistance	Input	Ω	380 ± 30
	Output	Ω	350 ± 3.5
	Insulation	MΩ	> 2,000 @50V DC
Compensated temp. range		°C	-10 ~ +40
Operating temp. range		°C	-20 ~ +80