

FEATURES

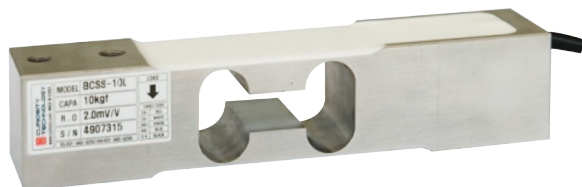
- Stainless steel construction
- Fully environmental protection
- Protection class IP67

Material

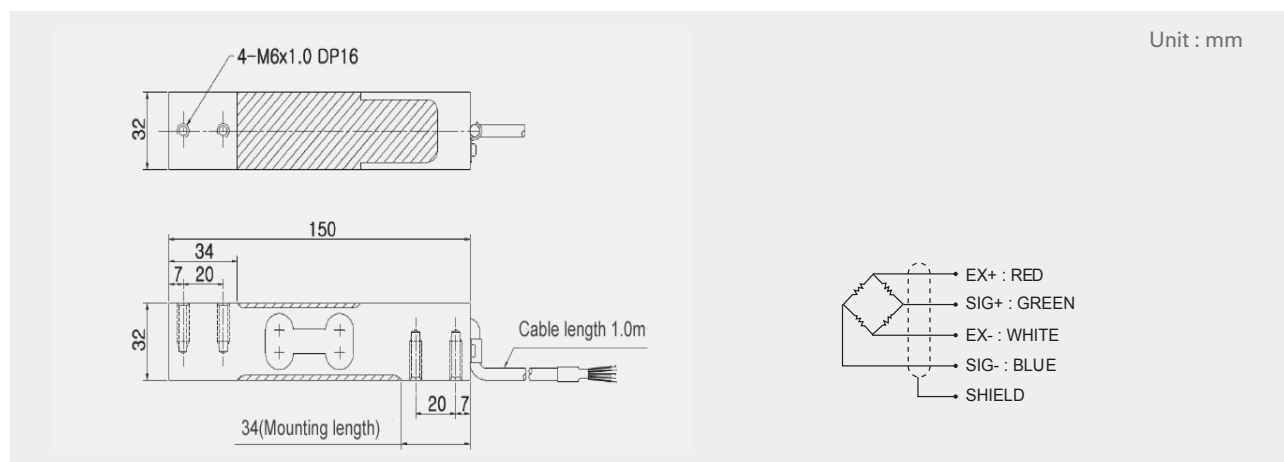
- Stainless steel construction

Cable

- Braided shield 4-wire round cable with PVC - jacket



DIMENSIONS



SPECIFICATIONS

Max. Capacity		kgf	15, 30, 50, 100 kgf
Rated output		mV/V	2.0 ± 0.2
Zero balance		mV/V	0.0 ± 0.1
Temperature effect on	Combined error	%RO	0.03
	Repeatability	%RO	0.01
	Creep (30min.)	%RO	0.03
	Zero value	%RO/10°C	0.028
Output value		%RO/10°C	0.014
Excitation	Recommended	V	10
	Maximum	V	15
Resistance	Input	Ω	380 ± 30
	Output	Ω	350 ± 3.5
	Insulation	MΩ	> 2,000 @50V DC
Compensated temp. range		°C	-10 ~ +40
Operating temp. range		°C	-20 ~ +80