

FEATURES

- Low capacity single point
- High accuracy (OIML C3 meet)
- Robust structure
- Four coner compensated
- High reliable environment protection(IP68)

Material

- Stainless steel

Cable

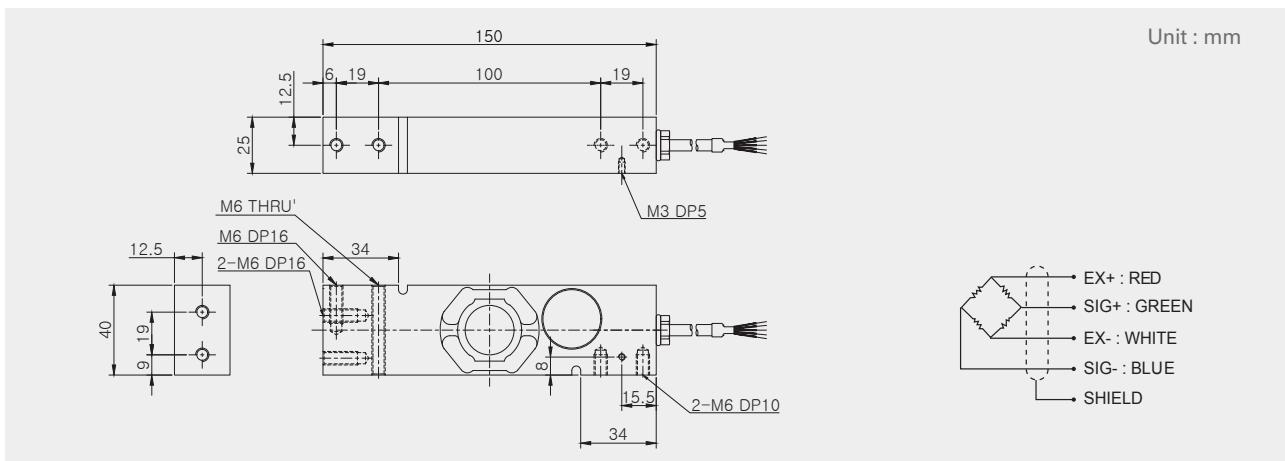
- Braided shield 4-wire round cable with PVC - jacket

Maximum Platform Size

- 400 x 400 mm



DIMENSIONS



SPECIFICATIONS

Max. Capacity		kgf	10, 20, 30, 50, 75, 100 kgf
Rated output		mV/V	2.0 ± 0.2
Zero balance		mV/V	0.0 ± 0.1
Combined error		%RO	0.03
Repeatability		%RO	0.02
Creep (30min.)		%RO	0.03
Temperature effect on	Zero value	%RO/10°C	0.028
	Output value	%RO/10°C	0.014
Excitation	Recommended	V	10
	Maximum	V	15
Resistance	Input	Ω	400 ± 50
	Output	Ω	350 ± 3.5
	Insulation	MΩ	> 2,000 @50V DC
Compensated temp. range		°C	-10 ~ +40
Operating temp. range		°C	-20 ~ +80

* Specifications are subject to change without notice