

FEATURES

- Low profile for industrial platform
- Integral mounting space
- Protection class IP66
- The united structure
- Increase the reliability (0.01%)

Material

- Nickel plated steel

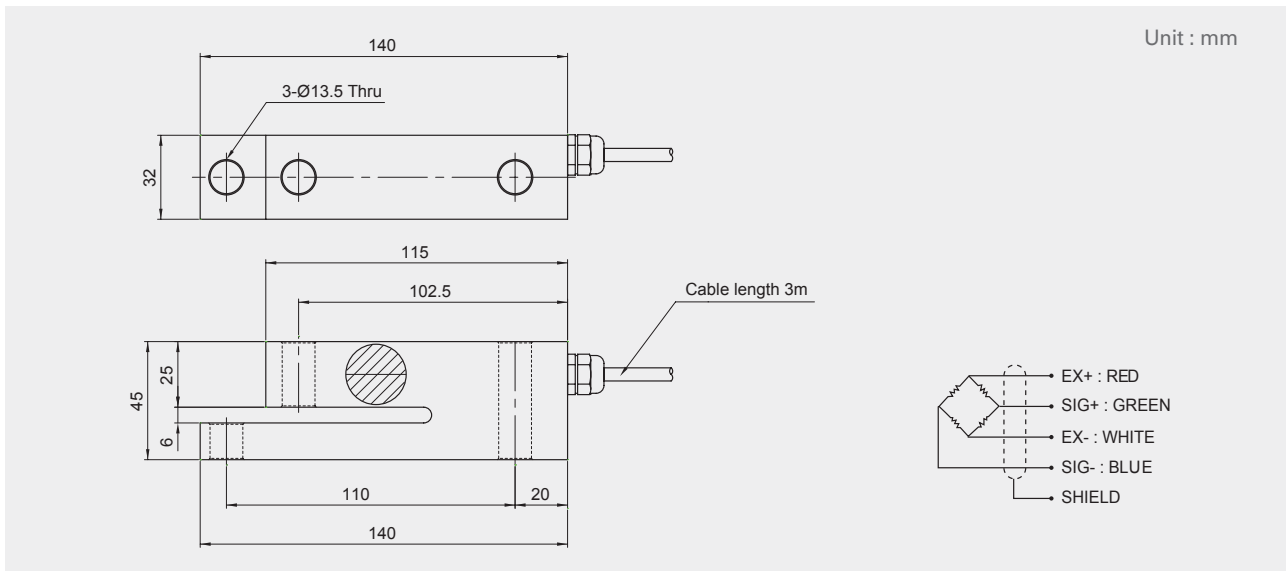
Mounting

- Socket - head cap screw
- M12 x 1.75(10.9)
- Tightening torque : 100Nm

Cable

- Braided shield 4-wire round cable with PVC - jacket

DIMENSIONS



SPECIFICATIONS

Max. Capacity		kgf, tf	250, 500 kgf, 1, 2 tf
Rated output		mV/V	3.0 ± 0.0075
Zero balance		mV/V	0 ± 0.05
Combined error		%RO	0.02
Repeatability		%RO	0.01
Creep (30min.)		%RO	0.01
Temperature effect on	Zero value	%RO/10°C	0.03
	Output value	%RO/10°C	0.03
Excitation	Recommended	V	10
	Maximum	V	15
Resistance	Input	Ω	350 ± 3.5
	Output	Ω	350 ± 3.5
	Insulation	MΩ	> 2,000 @50V DC
Compensated temp. range		°C	-10 ~ +40
Operating temp. range		°C	-20 ~ +80