

CBSU-D

Digital Load Cell

100, 150, 250, 300, 500 kgf, 1, 2 tf



FEATURES

- High resolution digital output
- Digital output via CAN
- Easy installation and Effective maintenance
- The united structure between sensing and mounting part
- Internal diagnostics

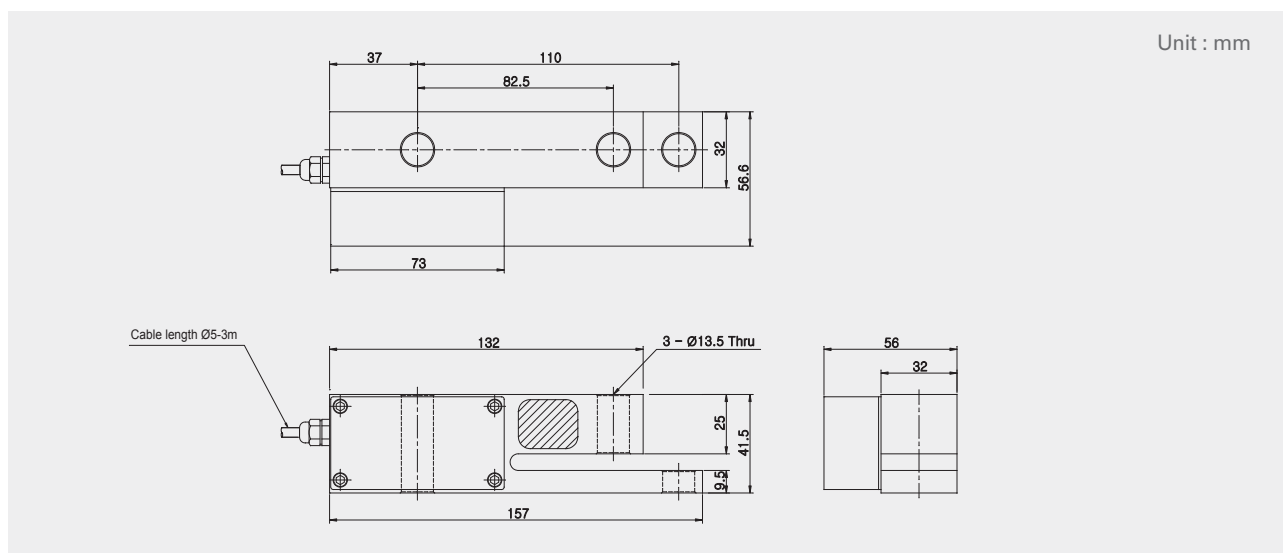
Material

- Anodized Aluminum (100 kgf , 150 kgf)
- Nickel plated steel : 250 kgf 2 tf

Cable Code

- Ex +(12V) : Red
- Ex - (GND) : White
- RTx + : Green
- RTx - : Blue

DIMENSIONS



SPECIFICATIONS

Rated Capacity		100,150, 250, 300, 500 kgf, 1 ton, 2 ton	
Rated output	Counts	300,000 ± 100	
Zero balance	%RO	±300	
Combined error	%RO	0.02	
Repeatability	%RO	0.01	
Creep for 30min.	%RO	0.01	
Temperature effect on	Zero value	%RO/10°C	0.03
	Output value	%RO/10°C	0.015
Excitation Voltage	V	12	
Resistance	Insulation	MΩ	> 2,000 @50V DC
	Communication Interface		CAN (4 wire)
Max.Transmission cable	m	1,000	
Compensated temp. range	°C	-20 ~ +80	