

FEATURES

- Low profile & Easy installation
- High accuracy
- Protection class IP66

Material

- Nickel plated steel

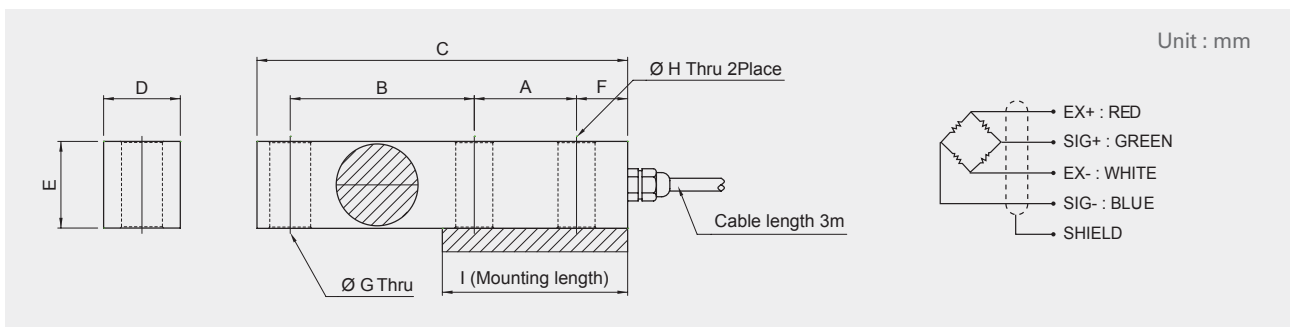
Cable

- Braided shield 4-wire round cable with PVC - jacket

Mounting

Capacity	Hexagon head-bolt	Tightening torque
250 kgf ~ 2 tf	M14 x 2.0 (10.9)	166Nm
5 tf	M18 x 1.5 (10.9)	350Nm

DIMENSIONS



Model	Capacity	A	B	C	D	E	F	G	H	I
CBS - 250L	250 kgf	40	72	145	30	34	20	16.0	14.5	80
CBS-500L	500 kgf									
CBS - 1T	1 tf									
CBS - 2T	2 tf	55	105	205	38	48	25	20.5	20.5	105
CBS - 3T	5 tf									

SPECIFICATIONS

Max. Capacity	kgf, tf	250, 500 kgf	1, 2, 5 tf
Rated output	mV/V	1.5 ± 0.004	2.0 ± 0.005
Zero balance	mV/V	0.0 ± 0.03	0.0 ± 0.03
Combined error	%RO	0.03	
Repeatability	%RO	0.01	
Creep (30min.)	%RO	0.03	
Temperature effect on	Zero value	%RO/10°C	0.028
	Output value	%RO/10°C	0.015
Excitation	Recommended	V	10
	Maximum	V	15
Resistance	Input	Ω	400 ± 20
	Output	Ω	350 ± 3.5
	Insulation	MΩ	> 2,000 @50V DC
	Compensated temp. range	°C	-10 ~ +40
Operating temp. range	°C	-20 ~ +80	