

FEATURES

- Low cost
- High accuracy
- Protection class IP65

Material

- Nickel Plated Steel

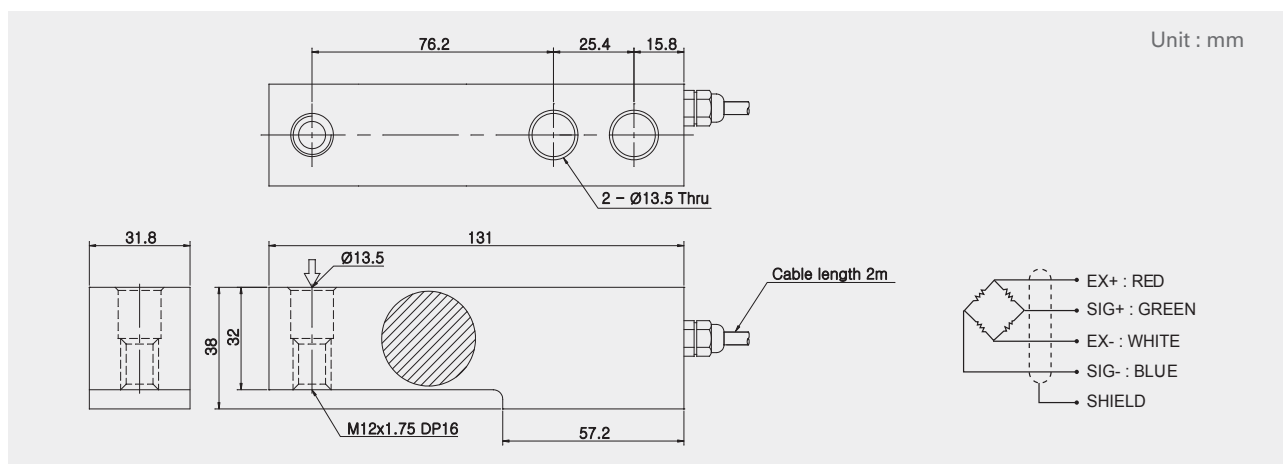
Cable

- Braided shield 4-wire round cable with PVC - jacket



CURIOSITY TECHNOLOGY
 MODEL: BSPB-L500
 LOAD: 500 kgf
 CAPA: 3.0019 mV/V
 R. D: 6802244
 S / N: 6802244
 CABLE: 4 WIRE
 EX-: WHITE
 SIG-: BLUE
 SIG+: GREEN
 EX+: RED
 SHIELD: SHIELD

DIMENSIONS



SPECIFICATIONS

Max. Capacity	tf	0.5, 1, 2 tf
Rated output	mV/V	3.0 ± 0.0075
Zero balance	mV/V	0.0 ± 0.03
Combined error	%RO	0.03
Repeatability	%RO	0.01
Creep (30min.)	%RO	0.03
Temperature effect on	Zero value	%RO/10°C
	Output value	%RO/10°C
Excitation	Recommended	V
	Maximum	V
Resistance	Input	Ω
	Output	Ω
	Insulation	MΩ
Compensated temp. range	°C	-10 ~ +40
Operating temp. range	°C	-20 ~ +80