

# SPIDER

Pin Load Cell

5, 10, 25, 50, 80, 200, 300, 400 tf



## FEATURES

- Robust design and easy installation
- Strong against shock

## Material

- Stainless steel

## Cable

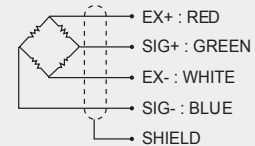
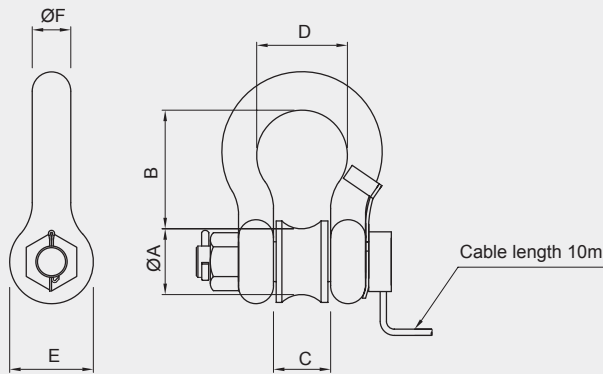
- Braided shield 4-wire round cable with PVC - jacket

Model	Capacity	A	B	C	D	E	F
SP - 5TC/B	5 tf	42	76.2	37	58	54	22.2
SP - 10TC/B	10 tf	57	108	51	83	76	32
SP - 25TC/B	25 tf	83	161.9	73	127	109	44.5
SP - 50TC/B	50 tf	126	239	105	184	144.5	66.5
SP - 80TC/B	80 tf	169	286.7	127	200	165	76.2
SP - 200T*-C/B	200 tf	230	343.8	184.1	297.4	266.7	114.3
SP - 300T*-C/B	300 tf	274	436	212.8	330	304.8	127
SP - 400T*-C/B	400 tf	328	497.9	209.6	330	355.6	152.4

\* Special Order / C : Cable type , B : Bluetooth type

## DIMENSIONS

Unit : mm



## SPECIFICATIONS

Max. Capacity	kgf	5, 10, 25, 50, 80, 200, 300, 400 tf	
Rated output	mV/V	2.0 Nominal	
Zero balance	mV/V	0.0 ± 0.2	
Combined error	%RO	< 0.25	
Repeatability	%RO	< 0.10	
Creep (30min.)	%RO	< 0.10	
Temperature effect on	Zero value	%RO/10°C	< 0.10
	Output value	%RO/10°C	< 0.10
Excitation	Recommended	V	10
	Maximum	V	15
Resistance	Input	Ω	760 ± 30
	Output	Ω	700 ± 5
	Insulation	MΩ	> 2,000 @50V DC
Compensated temp. range	°C	-10 ~ +50	
Operating temp. range	°C	-20 ~ +80	
Material		Stainless Steel	