

SS300 / LS300

S-Type Load Cell

50, 100, 150, 200, 300, 500 kgf, 1, 2, 3, 5, 10tf



FEATURES

- Tension or compression applications
- Suitable for hanging scales
- Protection class IP66

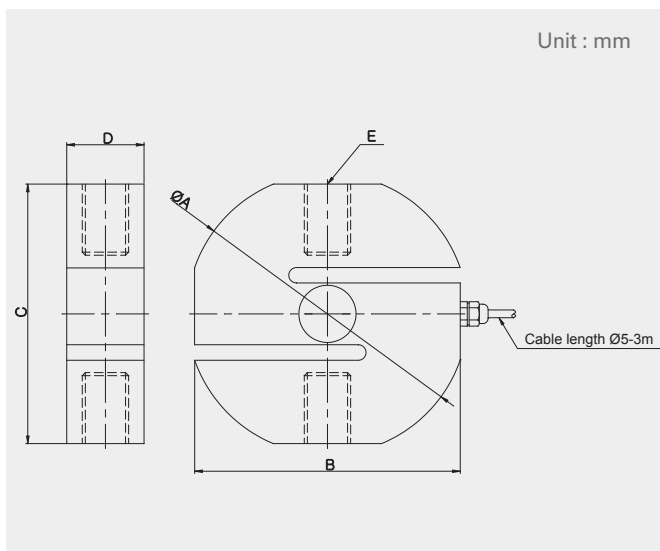
Material

- Nickel plated steel (SS300)
- Stainless Steel (LS300)

Cable

- Braided shield 4-wire round cable with PVC - jacket

DIMENSIONS



Model	Capacity	ØA	B	C	D	E
SS300 LS300	50 kgf	79	74	76	19	M12x1.75
	100 kgf					
	150 kgf					
	200 kgf					
	300 kgf					
	500 kgf	26				
	1 tf	79				M18x1.5
	2 tf					
	3 tf	109	90	110	30	M20x1.5
	5 tf	119	117	116	36	M24x2.0
10 tf	169	166	165	50	M30x2.0	

SPECIFICATIONS

Max. Capacity		kgf	50, 100, 150, 200, 300, 500 kgf, 1, 2, 3, 5, 10 tf
Rated output		mV/V	2.0 ± 0.005
Zero balance		mV/V	0 ± 0.2
Combined error		%RO	0.03
Repeatability		%RO	0.015
Creep (30min.)		%RO	0.03
Temperature effect on	Zero value	%RO/10°C	0.03
	Output value	%RO/10°C	0.03
Excitation	Recommended	V	10
	Maximum	V	15
Resistance	Input	Ω	400 ± 50
	Output	Ω	350 ± 3.5
	Insulation	MΩ	> 2,000 @50V DC
Compensated temp. range		°C	-10 ~ +40
Operating temp. range		°C	-20 ~ +80