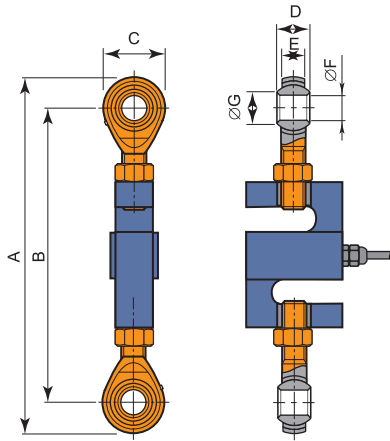


Tension Rod End Bearing Accessories

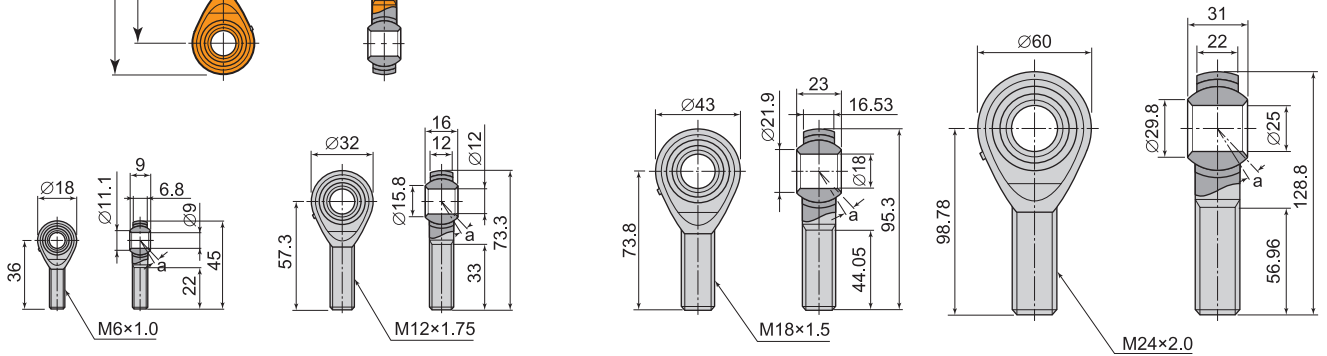


Features

- Over load under 150%
- Easy installation
- Structure included bearing

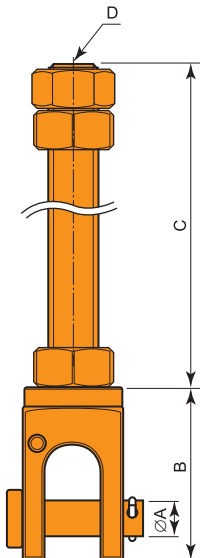
Material

- Install the rod end on the upper and bottom side of the load cell
- Don't insert the rod end until the end
- The rod end should be in a perpendicular with the force direction of the load cell



Model	Capacity	A	B	C	D	E	F	G
LC8105S	20kgf	207	173	31	16	12	12	15.4
	50kgf							
	75kgf							
	100kgf							
	200kgf							
	250kgf							
500kgf								
LC8105	1tf	310	250	60	23	22	18	21.9
	2tf							
LC8105	10kgf	134	116	18.5	9	6.8	9	12
	20kgf							
	50kgf							
	100kgf							
	200kgf							
	500kgf	211	177	34	16	12	12	15.4
	1tf							
	2tf							
	3tf							
	5tf							
	318	258	43	23	16.5	18	21.9	
	334	274	60	31	22	25	29.8	

Tension Clevis Accessories



Model	Capacity	A	B	C	D
TPK	50kgf, 100kgf, 200kgf, 300kgf	12	55	280	M16×2
	500kgf, 1tf				M24×3
	2tf, 3tf, 5tf				M24×3
LCK1205	20kgf, 50kgf, 100kgf	6	38	285	M12×1.75
	200kgf, 500kgf, 1tf	12	55	280	M16×2
LC8118	100kgf, 200kgf, 500kgf, 1tf	12	55	280	M16×2
	2tf, 3tf, 5tf	22	89	270	M24×3
LC8105	50kgf, 100kgf	6	38	285	M12×1.75
	200kgf, 500kgf, 1tf	12	55	280	M16×2