



#### FEATURES

- Fully environmental protection, IP67

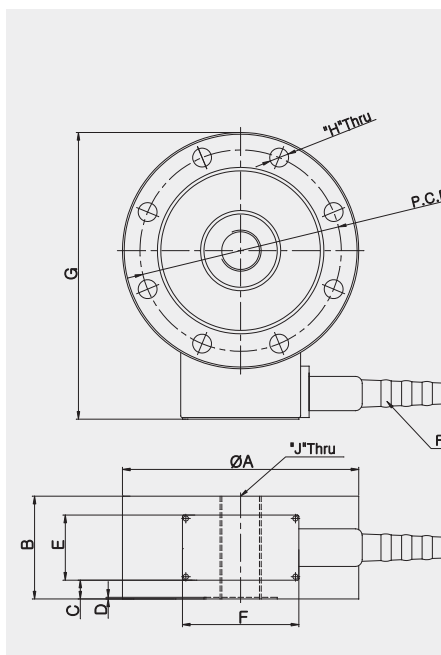
#### Material

- Stainless steel

#### Cable

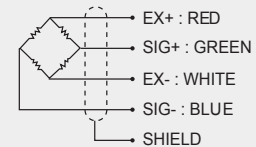
- Braided shield 4-wire round cable with PVC - jacket

#### DIMENSIONS



Model	Capacity	A	B	C	D	E	F	G	H	I	J
SLS - 500L	0.5 tf	110	46	4	1	38	68	139.5	8 - Ø6.6	97.2	M16x2.0
SLS - 1T	1 tf										
SLS - 2T	2 tf										
SLS - 3T	3 tf	120	46	4	1	38	68	149.5	8 - Ø9	103.2	M18x1.5
SLS - 5T	5 tf										
SLS - 10T	10 tf	138	60	11	1	38	68	167.5	8 - Ø11	117.6	M24x2.0
SLS - 20/30T	20/30 tf	184	80	21	1	38	68	213.5	8 - Ø14	157.6	M39x2.0
SLS - 50T	50 tf	200	60	11	1	38	68	229.5	8 - Ø14.3	170	M45x3.0
SLS - 100T	100 tf	278	90	26	1	38	68	307.5	8 - Ø16.3	229	M70x3.0
SLS - 200T	200 tf	355	108	35	1	38	68	384.5	8 - Ø26	298	M90x3.0

Unit : mm



#### SPECIFICATIONS

Max. Capacity	tf	0.5, 1, 2, 3, 5, 10, 20, 30 tf		50, 100, 200 tf
Rated output	mV/V	2.0 ± 0.005		
Zero balance	mV/V	0.0 ± 0.02		
Accuracy class		A	B	C
Combined error	%RO	0.02	0.05	0.1
Repeatability	%RO	0.01	0.02	0.1
Creep (30min.)	%RO	0.03	0.03	0.03
Temperature effect on	Zero value	%RO/10°C	0.03	0.03
	Output value	%RO/10°C	0.03	0.03
Excitation	Recommended	V	10	
	Maximum	V	15	
Resistance	Input	Ω	350 ± 3.5	
	Output	Ω	350 ± 3.5	
	Insulation	MΩ	> 2,000 @50V DC	
Compensated temp. range	°C	-10 ~ +40		
Operating temp. range	°C	-20 ~ +80		