

CCPA

Pan cake Load Cell
500 kgf, 1, 2, 3, 5 tf



FEATURES

- Low - profile
- Integrated loading base
- low - deck high capacity scale application

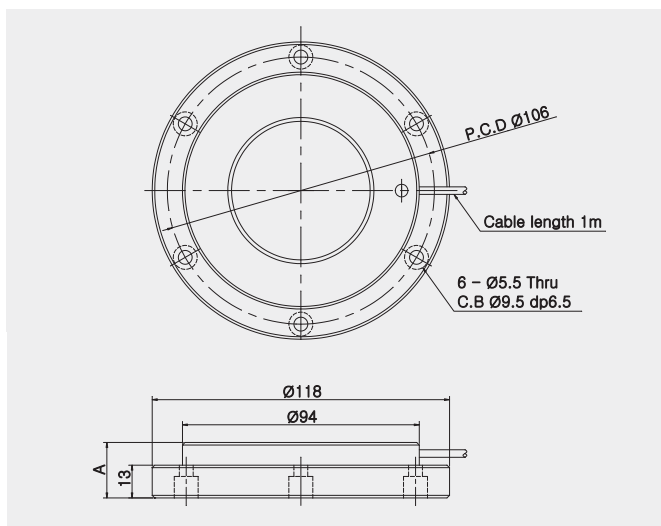
Material

- OP1 : Stainless steel
- OP2 : Steel

Cable

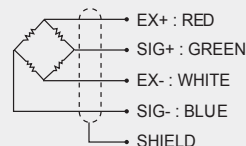
- Braided shield 4-wire round cable with PVC - jacket

DIMENSIONS



Model	Capacity	A
CCPA - 500L	500 kgf	20
CCPA - 1 T	1 tf	
CCPA - 2 T	2 tf	22
CCPA - 3 T	3 tf	
CCPA - 5 T	5 tf	

Unit : mm



SPECIFICATIONS

Max. Capacity	kgf, tf	500 kgf, 1, 2, 3, 5 tf
Rated output	mV/V	1.7 nominal
Zero balance	mV/V	0 ± 0.1
Combined error	%RO	0.15
Repeatability	%RO	0.03
Creep (30min.)	%RO	0.03
Temperature effect on	Zero value	%RO/10°C
	Output value	%RO/10°C
Excitation	Recommended	V
	Maximum	V
Resistance	Input	Ω
	Output	Ω
	Insulation	MΩ
		> 2,000 @50V DC
Compensated temp. range	°C	-10 ~ +40
Operating temp. range	°C	-20 ~ +80