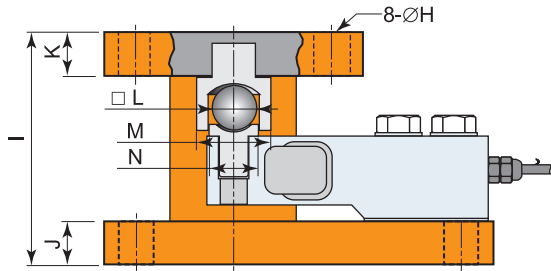
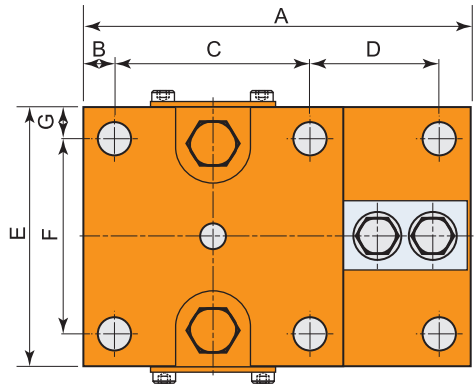


LC8406 Tank Weighing Accessories (BTW)



Features

- Ball type
- High resolution
- Easy replacement

Material

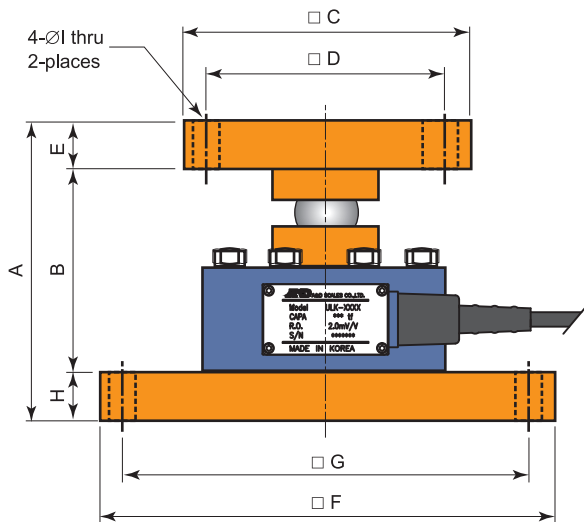
- OP1 : STEEL
- OP2 : STAINLESS STEEL

Manual

- Rise the upper plate by using the supporters at both sides and join it with the base plate
- Untie the upper bolt of the supporter and place the upper ball cup over the steel ball
- Check the level of the load cell

Model	Capacity	A	B	C	D	E	F	G	H	I	J	K	L	M	N
LC8406-T002TW	100kgf~2tf	180	15	90	60	120	90	15	14	107	20	20	17.4	Ø45	Ø29
LC8406-T005TW	3~5tf	230	20	110	80	150	110	20	18	135	30	25	30	Ø60	Ø45

ULK Ball Cup Accessories (Ball)



Accessory Features

- High durability
- Appropriate for tank and hopper application
- Designed with safety coefficient considerations

Manual

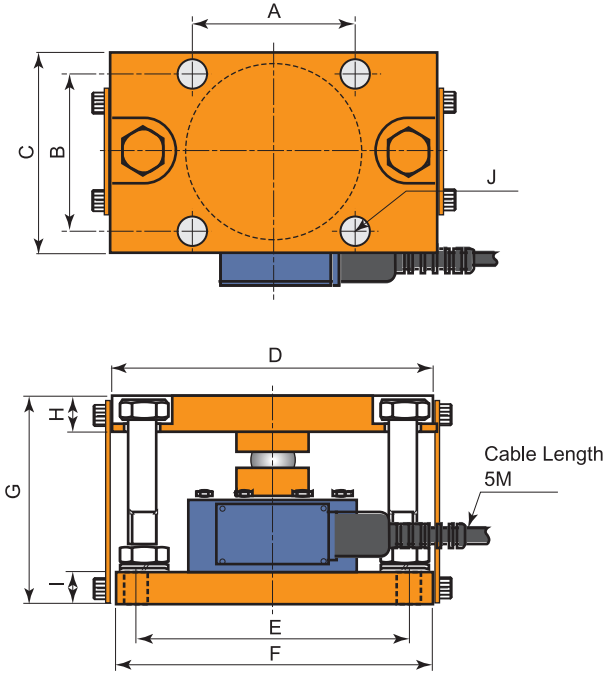
- Load cell connection with the mounting plate
- Fix the mounting plate on the surface
- Check the level of the mounting plate
- Place the loading plate over the load cell
- Check the value with a display systems

Option

- Steel
- Stainless steel

Capacity	A	B	C	D	E	F	G	H	I
500kgf, 1tf, 2tf, 3tf	136	90	130×130	105×105	23	210×130	185×105	23	12
5tf	145	99			23	210×130	185×105	23	12
10tf	166	106	130×130	105×105	30	160×160	125×125	30	14
20, 30tf	196	136	130×130	105×105	30	200×200	160×160	30	14

ULK Tank Weighing Accessories (BTW)



Features

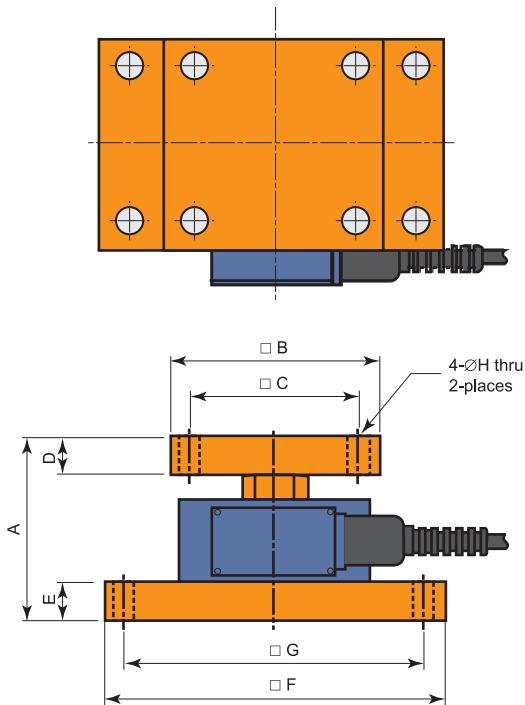
- High durability
- Appropriate for tank and hopper application
- Designed with safety coefficient considerations
- Prevention of separation by the bolt

Manual

- Load cell connection with the mounting plate
- Fix the mounting plate on the surface
- Check the level of the mounting plate
- Place the loading plate over the load cell
- Check the value with a display systems

Capacity	A	B	C	D	E	F	G	H	I	H
500kgf, 1tf, 2tf, 3tf	105	105	130	210×130	185×105	210×130	136	23	23	4-Ø12 Thru
5tf	105	105	130	210×130	185×105	210×130	145	23	23	4-Ø12 Thru
10tf	105	105	160	220×160	125×125	220×160	166	30	30	4-Ø14 Thru
20tf, 30tf	105	105	200	270×200	160×160	270×200	196	30	30	4-Ø14 Thru

ULK Load Button Accessories (LB)



Accessory Features

- High durability
- Appropriate for tank and hopper application
- Designed with safety coefficient considerations

Manual

- Load cell connection with the mounting plate
- Fix the mounting plate on the surface
- Check the level of the mounting plate
- Place the loading plate over the load cell
- Check the value with a display systems

Option

- Protection to breakaway
- Steel
- Stainless steel

Capacity	A	B	C	D	E	F	G	H
0.5tf, 1tf, 2tf, 3tf	105	130×130	105×105	23	23	210×130	185×105	12
5tf	107	130×130	105×105	23	23	210×130	185×105	12
10tf	140	160×160	125×125	30	30	160×160	125×125	14
20tf	175	200×200	150×150	30	30	200×200	160×160	14