

# NDSB-D

Digital Load Cell  
25, 30 tf



## FEATURES

- High resolution digital output
- Digital output via CAN
- Easy installation and Effective maintenance
- The united structure between sensing and mounting part
- Internal diagnostics

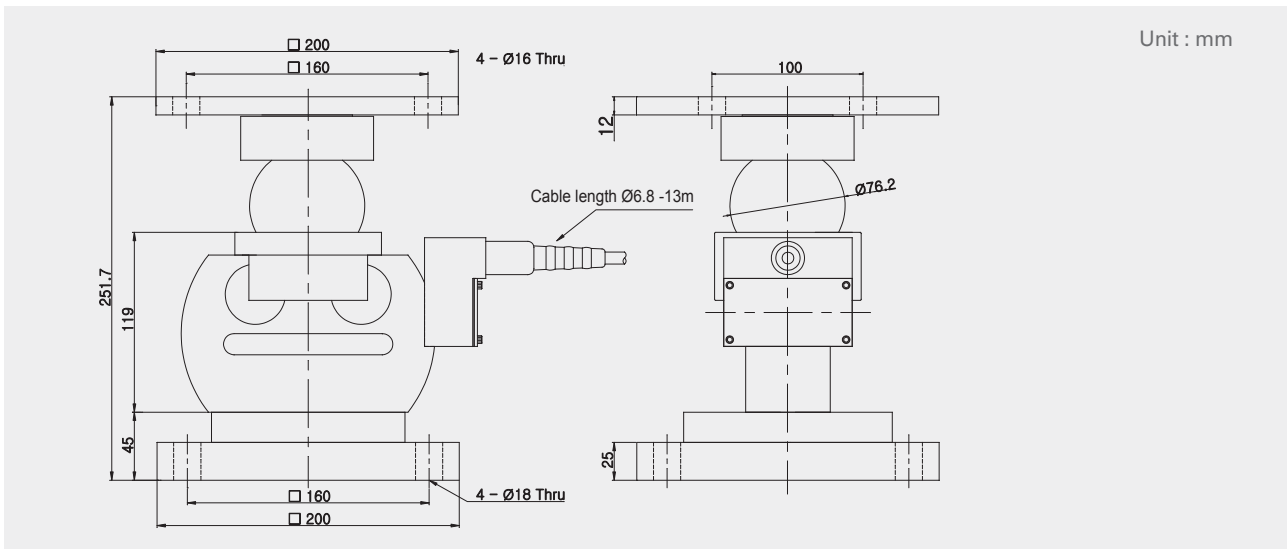
## Material

- Paint finished steel

## Cable Code

- Ex +(12V) : Red
- Ex -(GND) : White
- RTx + : Green
- RTx - : Blue

## DIMENSIONS



LOAD CELL  
Digital Load Cell

## SPECIFICATIONS

Rated Capacity		25, 30 tf	
Rated output	Counts	200,000 ± 100	
Zero balance	%RO	± 200	
Combined error	%RO	0.03	
Repeatability	%RO	0.02	
Creep for 30min.	%RO	0.03	
Temperature effect on	Zero value	%RO/10°C	0.03
	Output value	%RO/10°C	0.015
Excitation Voltage	V	12	
Resistance	Insulation	MΩ	> 2,000 @50V DC
	Communication Interface	CAN (4 wire)	
Max.Transmission cable	m	1,000	
Compensated temp. range	°C	-10 ~ +40	
Operating temp. range	°C	-20 ~ +80	