

NDSB-B

Truck Weighing Load Cell

25, 30, 50, 100 tf



FEATURES

- Robust design and easy installation
- Strong against shock or side force

Material

- Paint finished steel

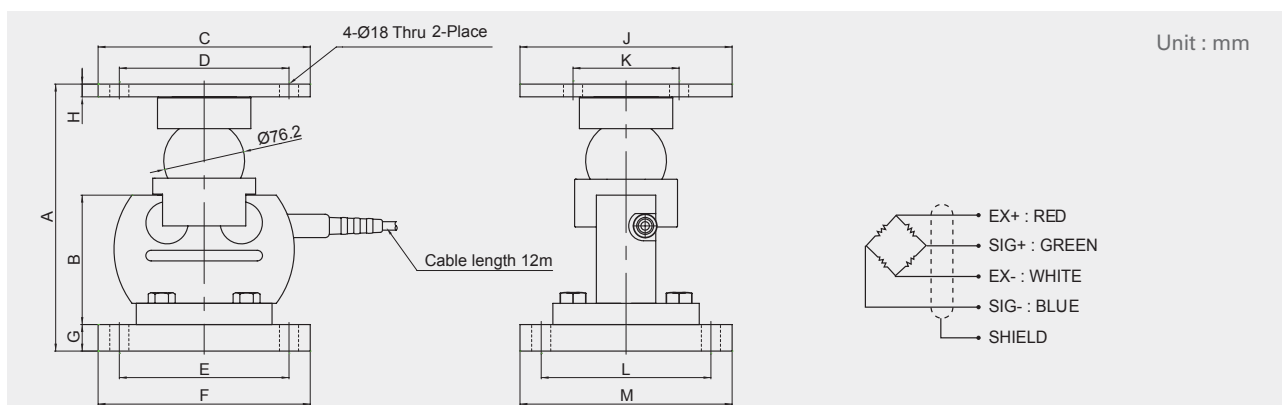
Cable

- Braided shield 4-wire round cable with PVC - jacket

Option

1. Cable 10m
2. Cable 15m
3. Plate Size 200 × 200 mm
4. Plate Size 200 × 250 mm

DIMENSIONS



Unit : mm

Capacity	A	B	C	D	E	F	G	H	I	J	K	L	M
20,30 tf	251.7	122	200	160	160	200	25	12	Ø18	200	100	160	200
50 tf	289	154	250	210	210	250	25	16	Ø20	200	160	160	200
100 tf	390	209	240	200	200	240	30	30	Ø22	240	200	200	240

SPECIFICATIONS

Max. Capacity		tf	25, 30, 50, 100 tf
Rated output		mV/V	2.0 ± 0.004
Zero balance		mV/V	0.0 ± 0.02
Combined error		%RO	0.02
Repeatability		%RO	0.015
Creep (30min.)		%RO	0.02
Temperature effect on	Zero value	%RO/10°C	0.03
	Output value	%RO/10°C	0.015
Excitation	Recommended	V	10
	Maximum	V	15
Resistance	Input	Ω	800 ± 50
	Output	Ω	700 ± 7
	Insulation	MΩ	> 2,000 @50V DC
Compensated temp. range		°C	-10 ~ +40
Operating temp. range		°C	-20 ~ +80