



FEATURES

- Robust design and easy installation
- Strong against shock or side force
- Surge protected
- Rotation protected
- Protection class IP68

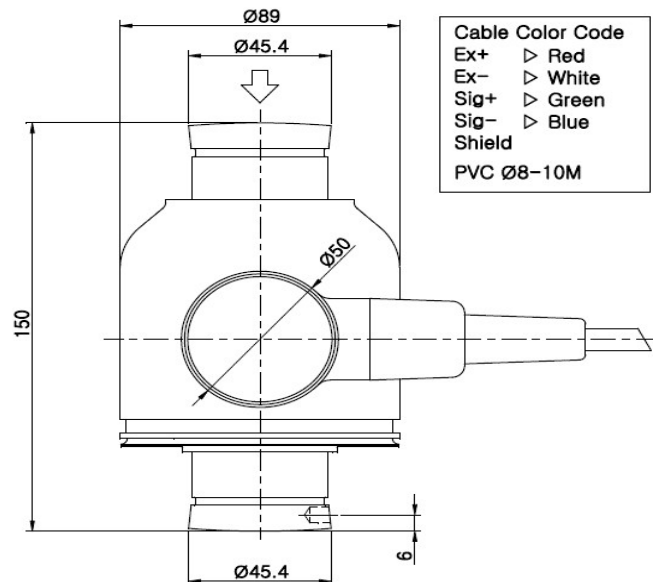
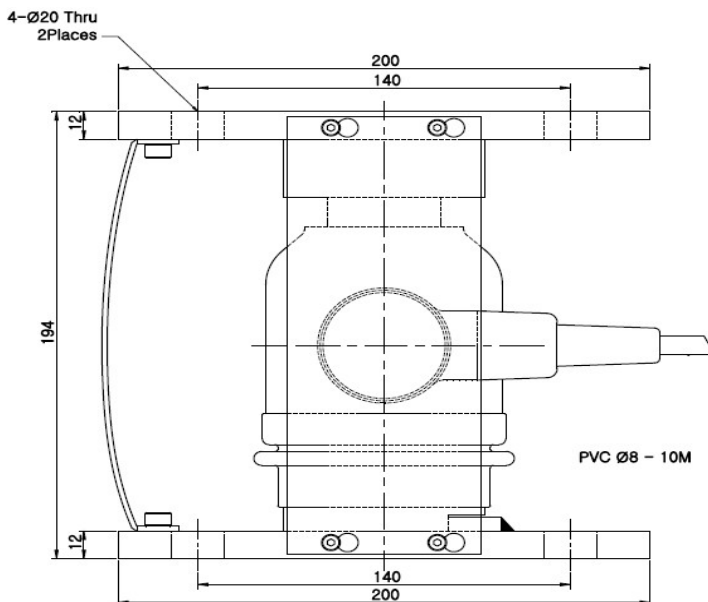
Material

- Stainless steel

Cable

- Braided shield 4-wire round cable with PVC - jacket

DIMENSIONS



SPECIFICATIONS

Max. Capacity	tf	25, 30 tf
Rated output	mV/V	2.0 ± 0.005
Zero balance	mV/V	0.0 ± 0.03
Combined error	%	0.03
Repeatability	%	0.02
Creep(30min.)	%	0.03
Temperature effec on		
Zero value	%/10°C	0.03
Output value	%/10°C	0.013
Excitation		
Recommended	V	10
Maximum	V	15
Resistance		
Input	Ω	350 ± 3.5
Output	Ω	350 ± 3.5
Insulation	MΩ	> 2,000 @50V DC
Compensated temp.rang	°C	-10 ~ +40
Operating temp. range	°C	-20 ~ +80