



FEATURES

- Robust design and easy installation
- Strong against shock

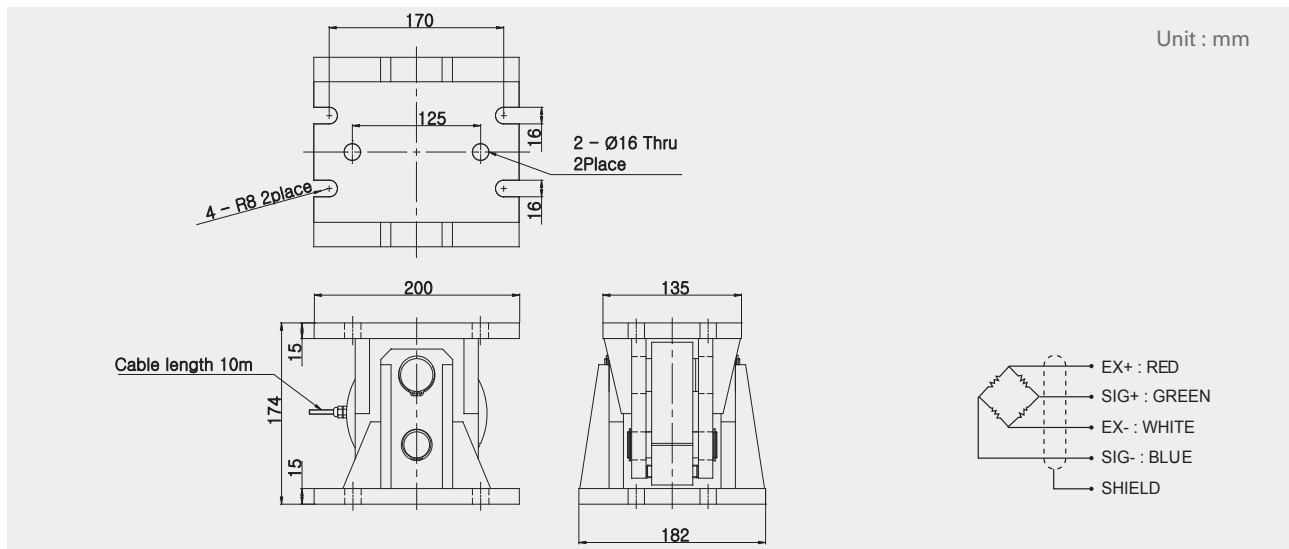
Material

- Steel
- Stainless Steel

Cable

- Braided shield 4-wire round cable with PVC - jacket

DIMENSIONS



SPECIFICATIONS

Max. Capacity		tf	2, 5, 10 tf
Rated output		mV/V	2.0 ± 0.005
Zero balance		mV/V	0.0 ± 0.03
Combined error		%RO	0.03
Repeatability		%RO	0.015
Creep (30min.)		%RO	0.03
Temperature effect on	Zero value	%RO/10°C	0.03
	Output value	%RO/10°C	0.03
Excitation	Recommended	V	10
	Maximum	V	15
Resistance	Input	Ω	400 ± 50
	Output	Ω	350 ± 3.5
	Insulation	MΩ	> 2,000 @50V DC
Compensated temp. range		°C	-10 ~ +40
Operating temp. range		°C	-20 ~ +80