

# CDSB-B

Truck Weighing Load Cell  
25, 30 tf



## FEATURES

- Robust design and easy installation
- Strong against shock or side force

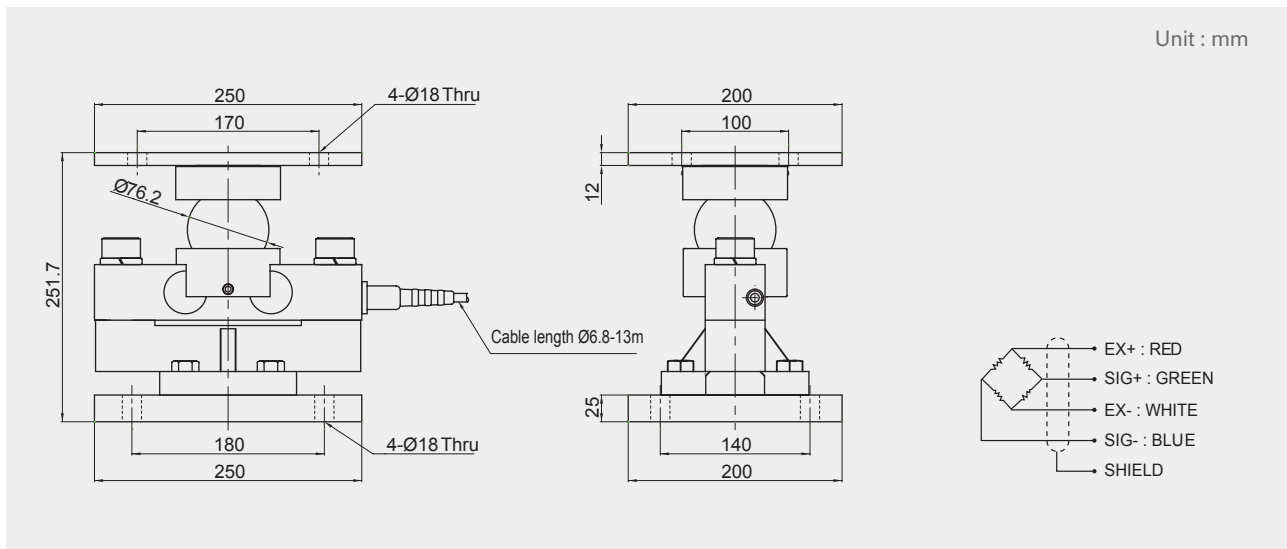
## Material

- Paint finished steel

## Cable

- Braided shield 4-wire round cable with PVC - jacket

## DIMENSIONS



LOAD CELL  
Truck Weighing Load Cell

## SPECIFICATIONS

Max. Capacity		tf	25, 30 tf
Rated output		mV/V	2.0 ± 0.004
Zero balance		mV/V	0.0 ± 0.03
Combined error		%RO	0.03
Repeatability		%RO	0.02
Creep (30min.)		%RO	0.03
Temperature effect on	Zero value	%RO/10°C	0.03
	Output value	%RO/10°C	0.015
Excitation	Recommended	V	10
	Maximum	V	15
Resistance	Input	Ω	800 ± 50
	Output	Ω	700 ± 7
	Insulation	MΩ	> 2,000 @50V DC
Compensated temp. range		°C	-10 ~ +40
Operating temp. range		°C	-20 ~ +80