

CSMN-MT

Miniature Load Cell

1, 2, 5, 10, 20, 30, 50, 100, 200, 300, 500 kgf, 1, 2 tf



FEATURES

- Miniature dimension
- Compression applications
- Application for limited space
- Protection class IP66
- Tap included in bottom side

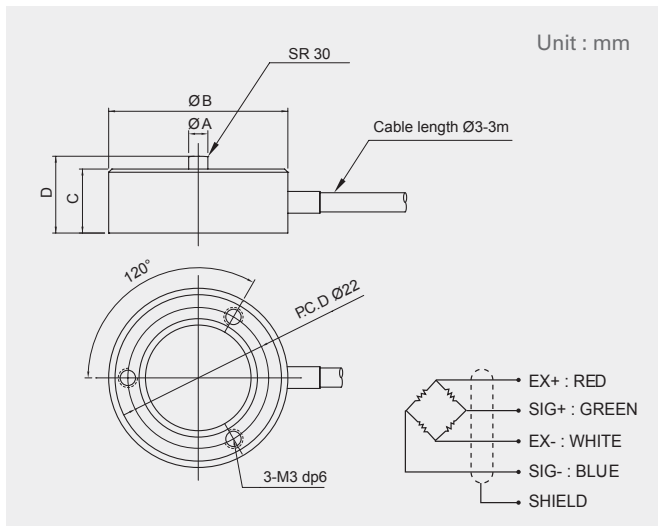
Material

- Anodized Aluminum (1kgf~10kgf)
- Stainless steel (20kgf~2tf)

Cable

- Braided shield 4-wire round cable with PVC - jacket

DIMENSIONS



Model	Capacity	A	B	C	D
CSMN - 1L MT	1 kgf	3	28	10	12
CSMN - 2L MT	2 kgf				
CSMN - 5L MT	5 kgf				
CSMN - 10L MT	10 kgf				
CSMN - 20L MT	20 kgf				
CSMN - 30L MT	30 kgf				
CSMN - 50L MT	50 kgf				
CSMN - 100L MT	100 kgf				
CSMN - 200L MT	200 kgf				
CSMN - 300L MT	300 kgf				
CSMN - 500L MT	500 kgf	4	28	15.8	16.5
CSMN - 1T MT	1 tf	4	28	15.8	16.5
CSMN - 2T MT	2 tf				

LOAD CELL
Miniature Load Cell

SPECIFICATIONS

Max. Capacity	kgf, tf	1, 2, 5, 10, 20, 30, 50, 100, 200, 300, 500 kgf, 1, 2 tf
Rated output	mV/V	1.0 ± 0.1
Zero balance	mV/V	0.0 ± 0.1
Combined error	%RO	2.0
Repeatability	%RO	1.0
Creep (30min.)	%RO	1.0
Temperature effect on	Zero value	%RO/10°C
	Output value	%RO/10°C
Excitation	Recommended	V
	Maximum	V
Resistance	Input	Ω
	Output	Ω
	Insulation	MΩ
		> 2,000 @50V DC
Compensated temp. range	°C	-10 ~ +40
Operating temp. range	°C	-20 ~ +80