

FEATURES

- Stainless steel
- Tension application
- Application for limited space
- Protection class IP67

Material

- Stainless steel

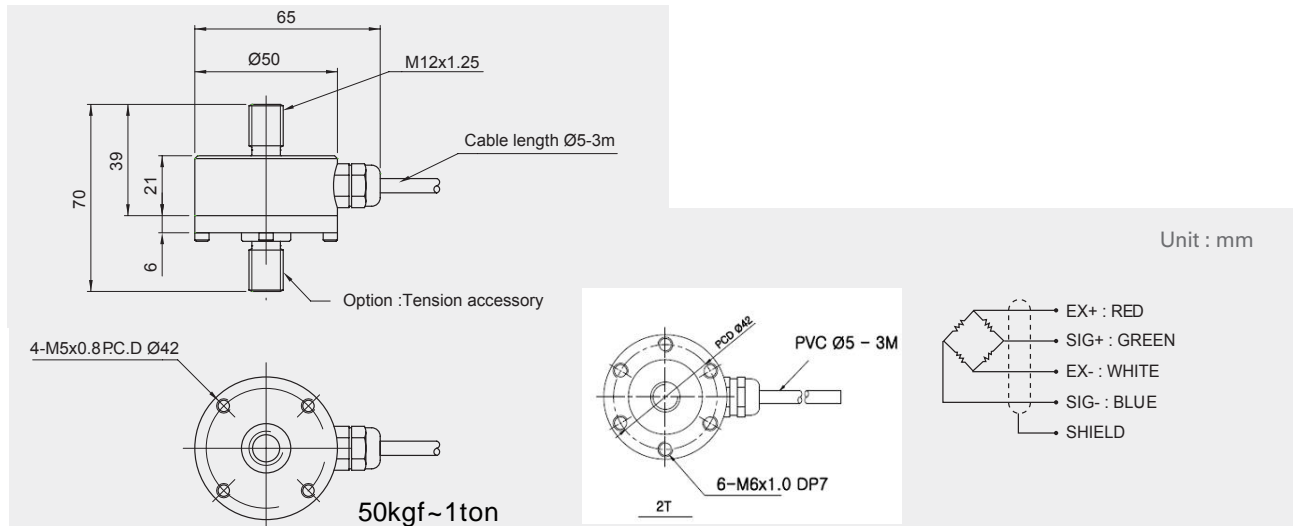
Cable

- Braided shield 4-wire round cable with PVC-jacket

Option

- Tension accessory

DIMENSIONS



SPECIFICATIONS

Max. Capacity	kgf	50, 100, 200, 500 kgf, 1tf, 2tf	
Rated output	mV/V	2.0 ± 0.02	
Zero balance	mV/V	0.0 ± 0.1	
Combined error	%RO	0.15	
Repeatability	%RO	0.05	
Creep (30min.)	%RO	0.03	
Temperature effect on	Zero value	%RO/10°C	0.05
	Output value	%RO/10°C	0.10
Excitation	Recommended	V	10
	Maximum	V	15
Resistance	Input	Ω	420 ± 50
	Output	Ω	350 ± 3.5
	Insulation	MΩ	> 2,000 @50V DC
Compensated temp. range	°C	-10 ~ +40	
Operating temp. range	°C	-20 ~ +80	