

CLMN

Miniature Load Cell

1, 2, 5, 10, 20, 30, 50, 100 kgf



FEATURES

- Miniature dimension
- Compression applications
- Application for limited space
- Integral load button

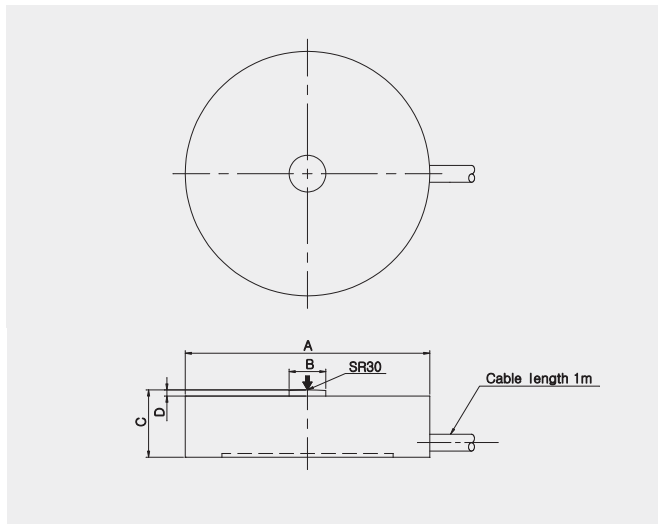
Material

- Anodized Aluminum (1 ~ 10 kgf)
- Stainless steel (20 ~ 100 kgf)

Cable

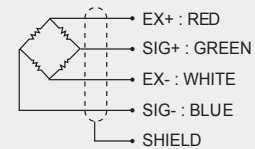
- Thin 4-wire cable of 36 AWG standard

DIMENSIONS



Model	A	B	C	D
CLMN-1L	20	3	3.5	0.5
CLMN-2L				
CLMN-5/10L				
CLMN-20L			4.0	
CLMN-30L				
CLMN-50L	5.0			
CLMN-100L				

Unit : mm



LOAD CELL
Miniature Load Cell

SPECIFICATIONS

Max. Capacity		kgf	1, 2, 5 kgf	10, 20, 30, 50, 100 kgf
Rated output		mV/V	0.5 (Approx)	1.0 (Approx)
Zero balance		mV/V	0.0 ± 0.1	
Temperature effect on	Combined error	%RO	2.0	
	Repeatability	%RO	1.0	
	Creep (30min.)	%RO	1.0	
	Zero value	%RO/10°C	0.5	
	Output value	%RO/10°C	0.5	
Excitation	Recommended	V	5	
	Maximum	V	10	
Resistance	Input	Ω	350 ± 3.5	
	Output	Ω	350 ± 3.5	
	Insulation	MΩ	> 2,000 @50V DC	
Compensated temp. range		°C	-10 ~ +40	
Operating temp. range		°C	-20 ~ +80	