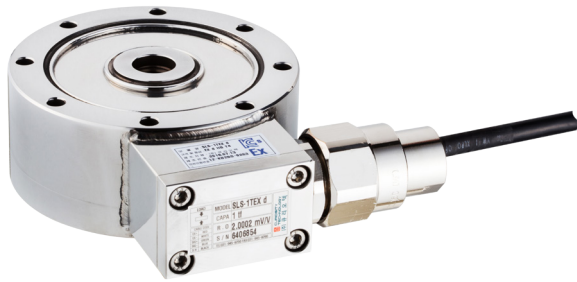


# SLS-Ex d

(Ex d IIB T6)

Pan Cake Load Cell

0.5, 1, 2, 3, 5, 10, 15, 20, 30 tf



## FEATURES

- Hermetically sealed
- High reliability against fatigue and side force

## Material

- Stainless steel

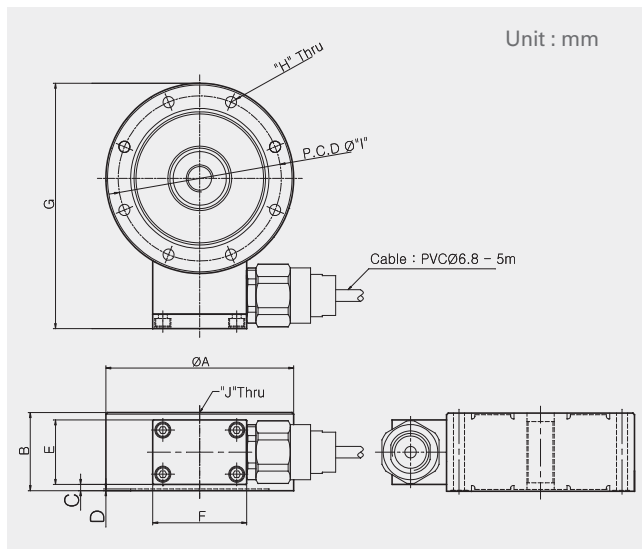
## Cable

- Braided shield 4-wire round cable with PVC - jacket

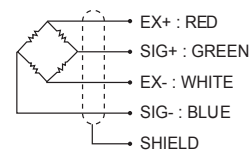
## Ordering Information

- SLS -xxx T- Ex d : Stainless steel
- Capacity in tf

## DIMENSIONS



Model	Capacity	A	B	C	D	E	F	G	H	I
SLS-1T	1 tf									
SLS-2T	2 tf	112	46	4	1	38	56	144.5	8 - Ø6.6	97.2
SLS-3T	3 tf									
SLS-5T	5 tf	120	46	4	1	38	56	153.0	8 - Ø9	103.2
SLS-10T	10 tf									
SLS-15T	15 tf	138	60	11	1	38	56	172.0	8 - Ø11	117.6
SLS-20T	20 tf									
SLS-30T	30 tf									



## SPECIFICATIONS

Max. Capacity		tf	0.5, 1, 2, 3, 5, 10, 15, 20, 30 tf
Rated output		mV/V	2.0 ± 0.005
Zero balance		mV/V	0.0 ± 0.03
Accuracy class		%RO	0.05
Combined error		%RO	0.02
Repeatability		%RO	0.03
Creep (30min.)			
Temperature effect on			
	Zero value	%RO/10°C	0.03
	Output value	%RO/10°C	0.03
Excitation			
	Recommended	V	10
	Maximum	V	15
Resistance			
	Input	Ω	350 ± 3.5
	Output	Ω	350 ± 3.5
	Insulation	MΩ	>2,000
Compensated temp. range		°C	-10 ~ +40
Operating temp. range		°C	-20 ~ +80