

CLS-Ex d

Ex d IIB T6

Pan Cake Load Cell
0.5, 1, 2, 3, 5, 10, 15, 20, 30 tf



FEATURES

- Hermetically sealed
- High reliability against fatigue and side force

Material

- Paint finished steel

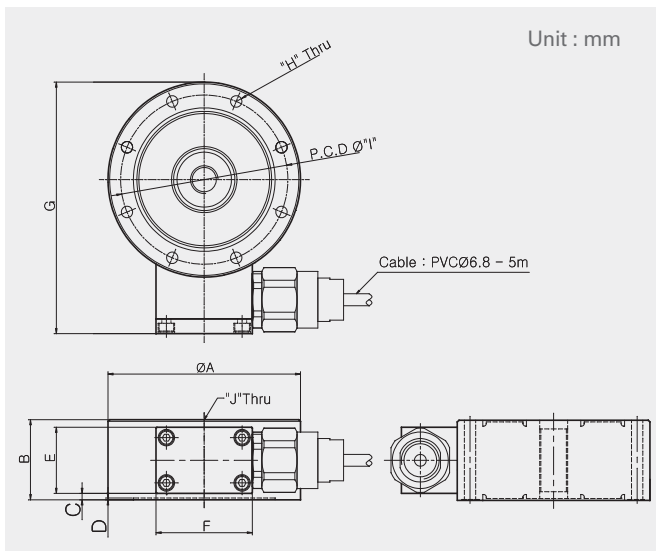
Cable

- Braided shield 4-wire round cable with PVC - jacket

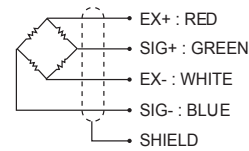
Ordering Information

- CLS -xxx T- Ex d : Steel
- Capacity in tf

DIMENSIONS



Model	Capacity	A	B	C	D	E	F	G	H	I
CLS-1T	1 tf									
CLS-2T	2 tf	112	46	4	1	38	56	144.5	8 - Ø6.6	97.2
CLS-3T	3 tf									
CLS-5T	5 tf	120	46	4	1	38	56	153.0	8 - Ø9	103.2
CLS-10T	10 tf									
CLS-15T	15 tf									
CLS-20T	20 tf	138	60	11	1	38	56	172.0	8 - Ø11	117.6
CLS-30T	30 tf									



SPECIFICATIONS

Max. Capacity		tf	0.5, 1, 2, 3, 5, 10, 15, 20, 30 tf
Rated output		mV/V	2.0 ± 0.005
Zero balance		mV/V	0.0 ± 0.03
Accuracy class		%RO	0.05
Combined error		%RO	0.02
Repeatability		%RO	0.03
Creep (30min.)			
Temperature effect on	Zero value	%RO/10°C	0.03
	Output value	%RO/10°C	0.03
Excitation	Recommended	V	10
	Maximum	V	15
Resistance	Input	Ω	350 ± 3.5
	Output	Ω	350 ± 3.5
	Insulation	MΩ	>2,000
Compensated temp. range		°C	-10 ~ +40
Operating temp. range		°C	-20 ~ +80