

CBSS-Ex d

(Ex d IIB T6)

Shear Beam Load Cell
0.5, 1, 2, 3, 5 tf



FEATURES

- Stainless steel construction
- Fully environmental protection

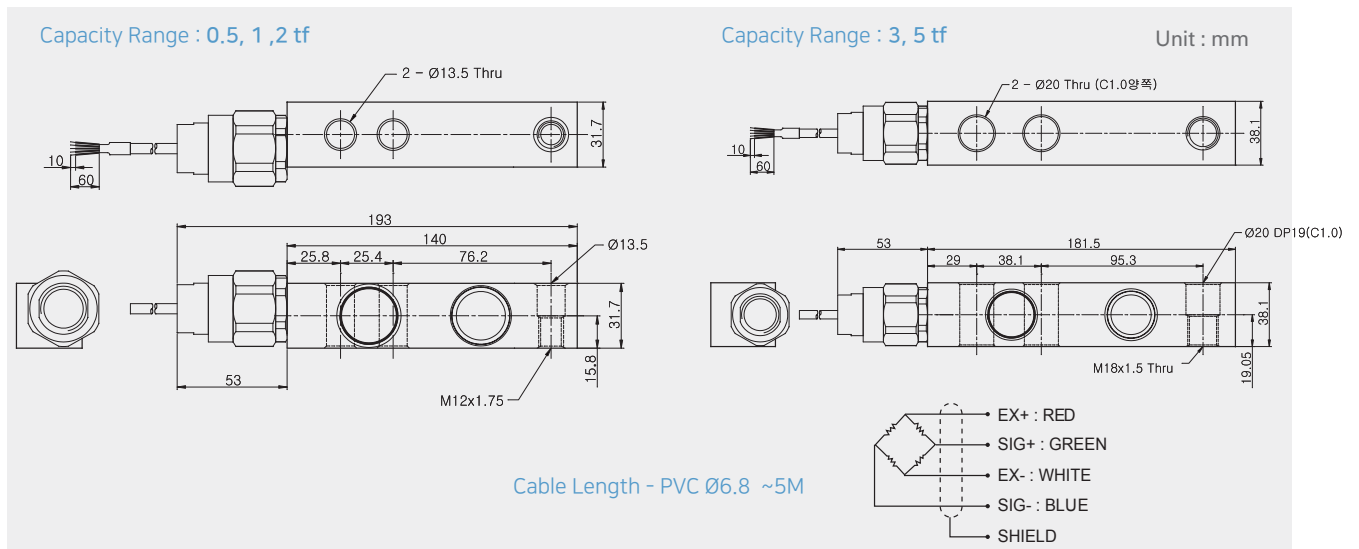
Material

- Stainless steel construction

Cable

- Braided shield 4-wire round cable with PVC - jacket
- Cable Grand Explosion-proof approved

DIMENSIONS



SPECIFICATIONS

Max. Capacity		kgf	0.5, 1, 2, 3, 5 tf
Rated output		mV/V	2.0 ± 0.005
Zero balance		mV/V	0.0 ± 0.02
Combined error		%RO	0.03
Repeatability		%RO	0.01
Creep (30min.)		%RO	0.03
Temperature effect on	Zero value	%RO/10°C	0.028
	Output value	%RO/10°C	0.014
Excitation	Recommended	V	10
	Maximum	V	15
Resistance	Input	Ω	350 ± 3.5
	Output	Ω	350 ± 3.5
	Insulation	MΩ	>2,000
Compensated temp. range		°C	-10 ~ +40
Operating temp. range		°C	-20 ~ +80

• Specifications are subject to change without notice