

BCSL-Ex d

Ex d IIC T6 / Ex tD A21 T85°C

Single Point Load Cell
10~100 kgf



FEATURES

- Low capacity single point
- High accuracy (OIML C3 meet)
- Robust structure
- Four coner compensated
- High reliable environment protection(IP68)
- Low capacity explosion proof type

Material

- Stainless steel

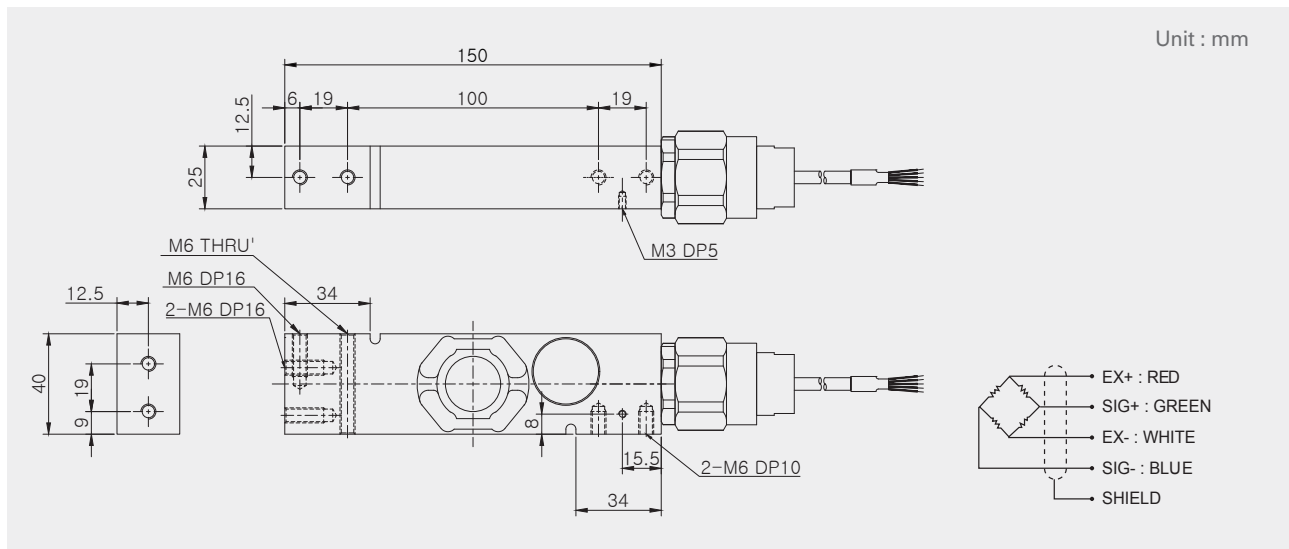
Cable

- Braided shield 4-wire round cable with PVC - jacket

Maximum Platform Size

- 400 × 400 mm

DIMENSIONS



LOAD CELL
Explosion Proof Product

SPECIFICATIONS

Max. Capacity	kgf	10, 20, 30, 50, 75, 100 kgf
Rated output	mV/V	2.0 ± 0.2
Zero balance	mV/V	0.0 ± 0.1
Combined error	%RO	0.03
Repeatability	%RO	0.02
Creep (30min.)	%RO	0.03
Temperature effect on		
	Zero value	%RO/10°C
	Output value	%RO/10°C
Excitation		
	Recommended	V
	Maximum	V
Resistance		
	Input	Ω
	Output	Ω
	Insulation	MΩ
Compensated temp. range	°C	-10 ~ +40
Operating temp. range	°C	-20 ~ +80

* Specifications are subject to change without notice