

# CT

## Canister Tension Load Cell 100, 200, 300, 500 kgf, 1, 2, 3, 5 tf



### FEATURES

- Tension load cell
- With Rod end bearing, CLEVIS

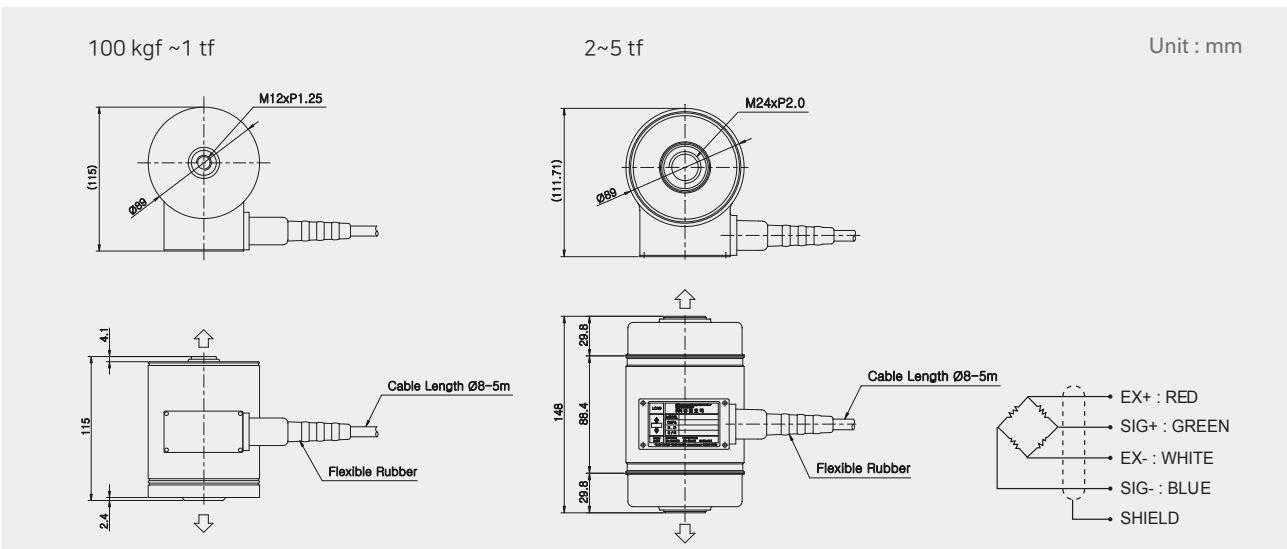
### Material

- Painted steel

### Cable

- Braided shield 4-wire round cable with PVC-jacket

### DIMENSIONS



### SPECIFICATIONS

Max. Capacity	kgf	100, 200, 300, 500 kgf	1, 2, 3, 5 tf
Rated output	mV/V	3.0 ± 0.006	
Zero balance	mV/V	0.0 ± 0.03	
Combined error	%RO	0.03	
Repeatability	%RO	0.02	
Creep (30min.)	%RO	0.03	
Temperature effect on	Zero value	%RO/10°C	0.03
	Output value	%RO/10°C	0.03
Excitation	Recommended	V	10
	Maximum	V	15
Resistance	Input	Ω	350 ± 3.5
	Output	Ω	350 ± 3.5-
	Insulation	MΩ	> 2,000 @50V DC
Compensated temp. range	°C	-10 ~ +40	
Operating temp. range	°C	-20 ~ +80	

LOAD CELL  
Canister Load Cell