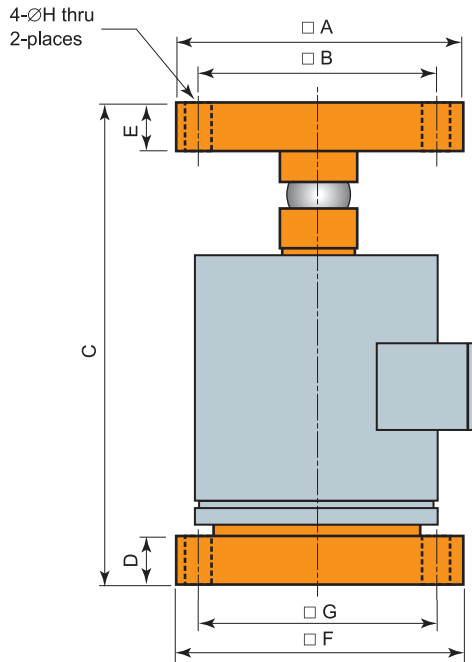


CPK Ball Cup Accessories (Ball)



Accessory Features

- High durability
- Appropriate for tank and hopper application
- Designed with safety coefficient considerations

Manual

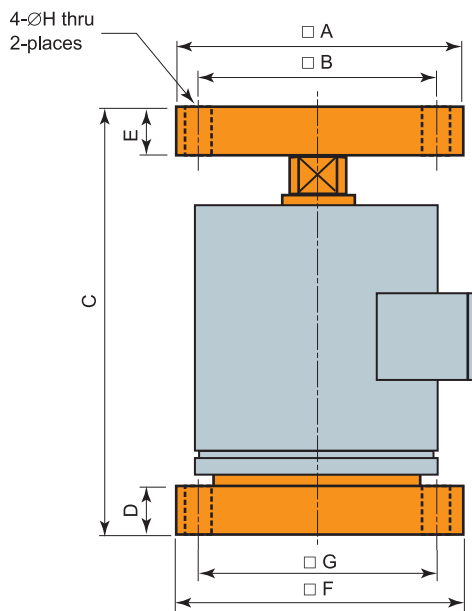
- Load cell connection with the mounting plate
- Fix the mounting plate on the surface
- Check the level of the mounting plate
- Place the loading plate over the load cell
- Check the value with a display systems

Option

- Steel
- Stainless steel

Capacity	A	B	C	D	E	F	G	H
200kgf~ 1tf	100×100	77×77	175	15	15	100×100	77×77	8
2tf~ 5tf	130×130	105×105	252	23	23	130×130	105×105	12

CPK Load Button Accessories (LB)



Accessory Features

- High durability
- Appropriate for tank and hopper application
- Designed with safety coefficient considerations

Manual

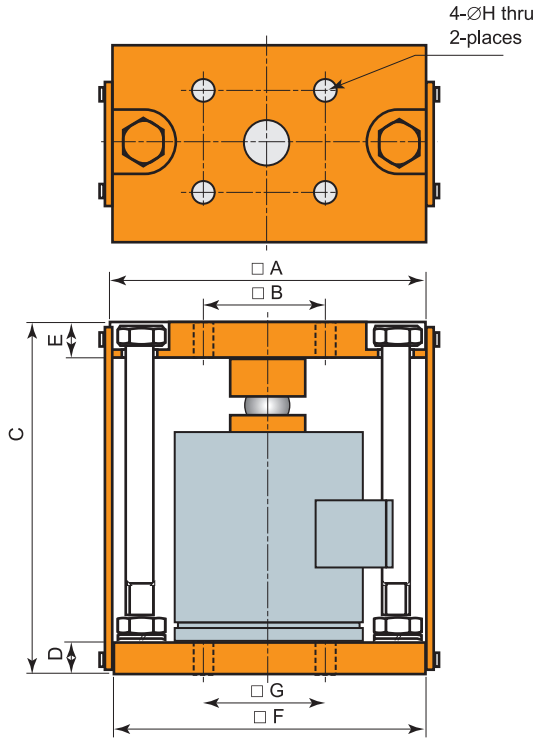
- Load cell connection with the mounting plate
- Fix the mounting plate on the surface
- Check the level of the mounting plate
- Place the loading plate over the load cell
- Check the value with a display systems

Option

- Protection to breakaway
- Steel
- Stainless steel

Capacity	A	B	C	D	E	F	G	H
200kgf~ 1tf	100×100	77×77	153.7	15	15	100×100	77×77	8
2tf~ 5tf	130×130	105×105	210.3	23	23	130×130	105×105	12

CPK Tank Weighing Accessories (BTW)



Features

- High durability
- Appropriate for tank and hopper application
- Designed with safety coefficient considerations
- Prevention of separation by the bolt

Manual

- Load cell connection with the mounting plate
- Fix the mounting plate on the surface
- Check the level of the mounting plate
- Place the loading plate over the load cell
- Check the value with a display systems

Capacity	A	B	C	D	E	F	G	H
200kgf~ 1tf	160×100	77×77	175	15	15	160×100	77×77	8
2tf~ 5tf	180×130	105×105	252	23	23	180×130	105×105	12