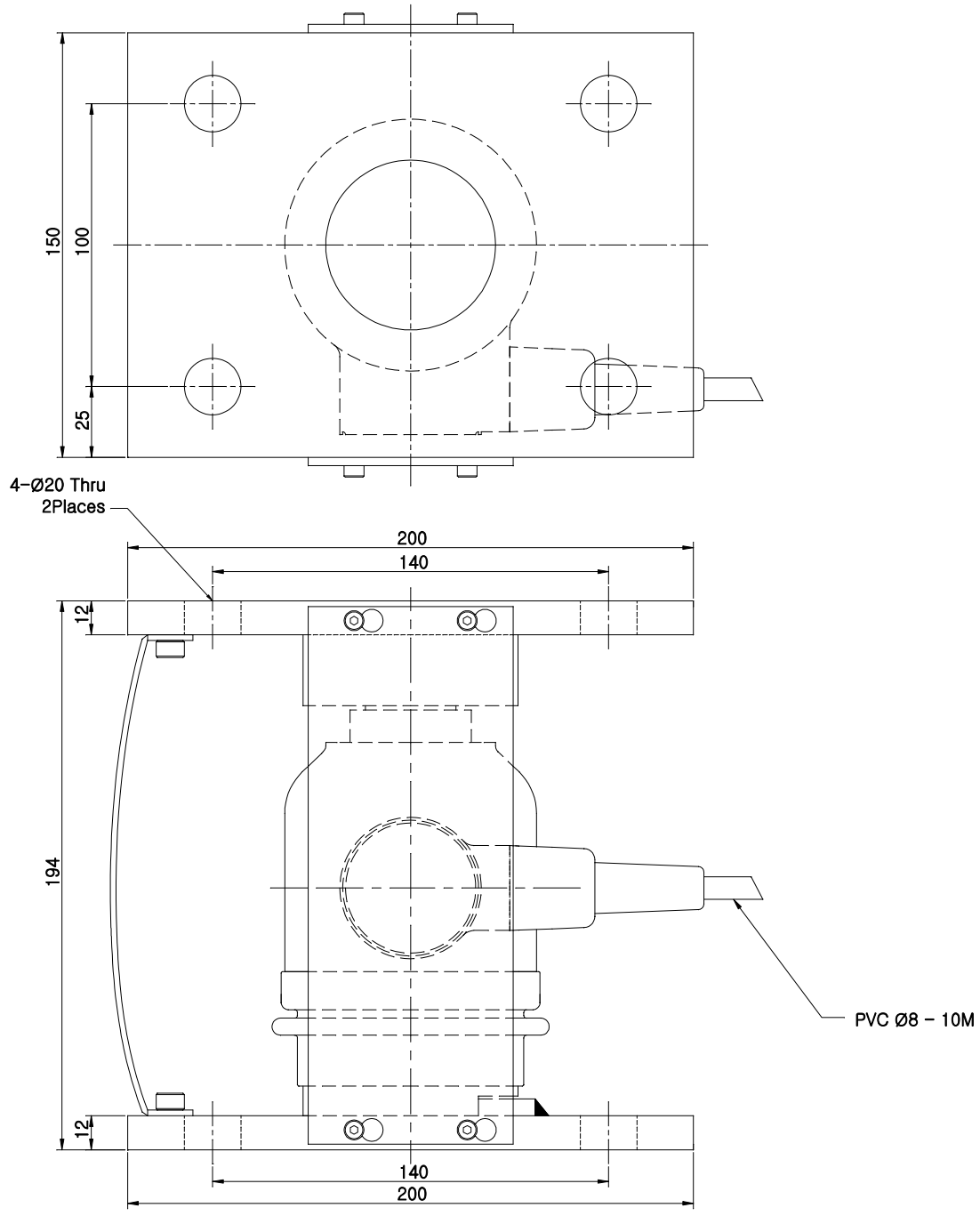


REVISIONS		6		7		8	
MODEL NO.	PART NO.	REV	SYM	CONTENTS	DRAWN	CHECKED	APPROVED

A  
B  
C  
D  
E  
F



Capacity(용량)	tf	25
Rated Output(정격 출력)	mV/V	2.0±0.005
Zero Balance(무부하 범위)	mV/V	0.0±0.03
Combined Error(종합 오차)	%RO	0.03
Repeatability(반복 출력 허용)	%RO	0.02
Creep for (30min)N분출력편차	%RO	0.03
Temperature effect on(온도변화에 따른 범위)		
Zero Value(영점값)	%RO/10°C	0.03
Output Value(출력값)	%RO/10°C	0.03
Excitation(인가전압)		
Recommended(권고 전압)	V	10
Maximum(최대 전압)	V	15
Resistance(저항)		
Input(입력저항)	Ω	350±3.5
Output(출력저항)	Ω	350±3.5
Insulation(절연저항)	MΩ	>2000@50V DC
Compensated Temp.Range	°C	-10 ~ +40
Operating Temp.Range(작동범위)	°C	-40 ~ +80

Cable Color Code	
Ex+	▷ Red
Ex-	▷ White
Sig+	▷ Green
Sig-	▷ Blue
Shield	

NO	TITLE	MATERIAL	Q'TY	REMARKS		
TOLERANCES UNLESS OTHERWISE SPECIFIED	NAME OR TITLE					
ANGULAR ± 0.1	LC8224S-T025 Specifications					
DECIMAL ± 0.1	FIRST USED IN ASSEMBLY	MATERIAL	Paint Finished Steel			
QTY/SET	FIRST MADE FOR	END FINISH				
	CONTRACT OR CUSTOMER NO	DIMENSIONS ARE IN (MM) INCH				
DRAWN	CHECKED 1	CHECKED 2	APPROVED	SCALE	DRAWING.PART NO.	REV
D.J.KANG				N/S	LC8224S-T025-SPEC	V2
04.21.2015						