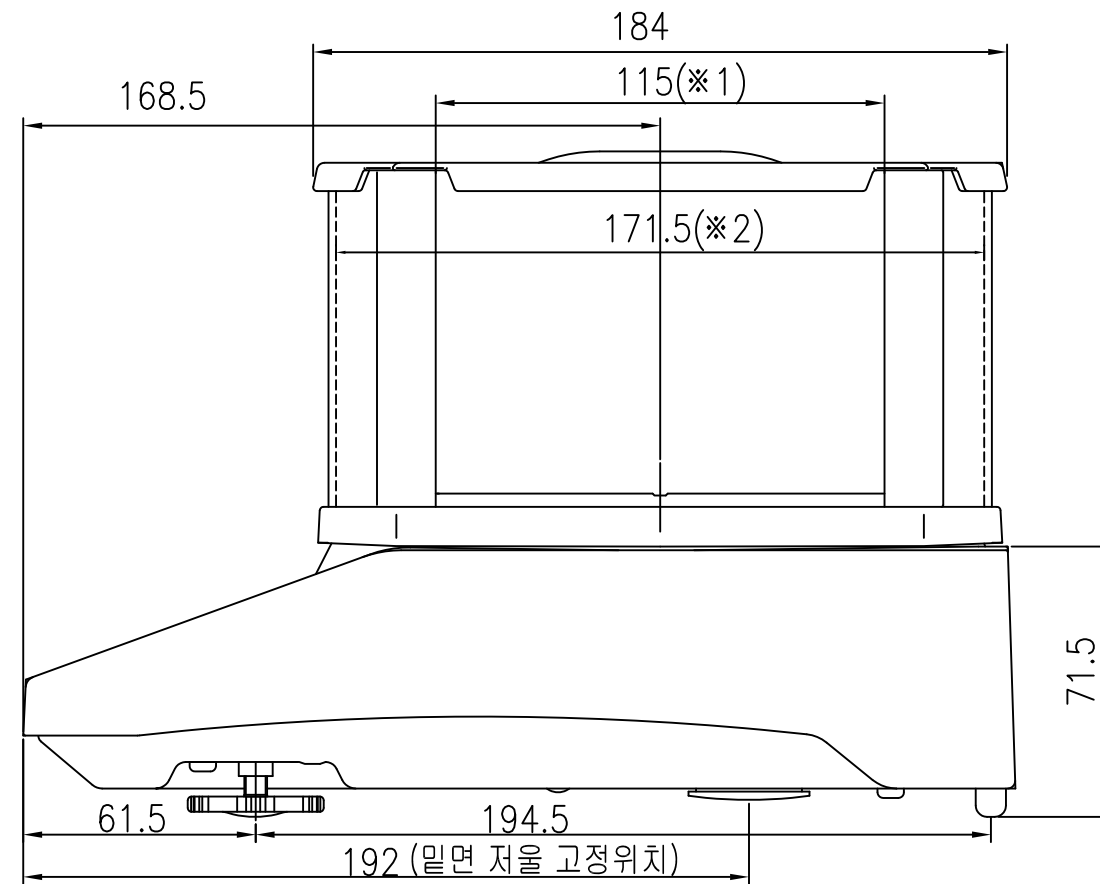
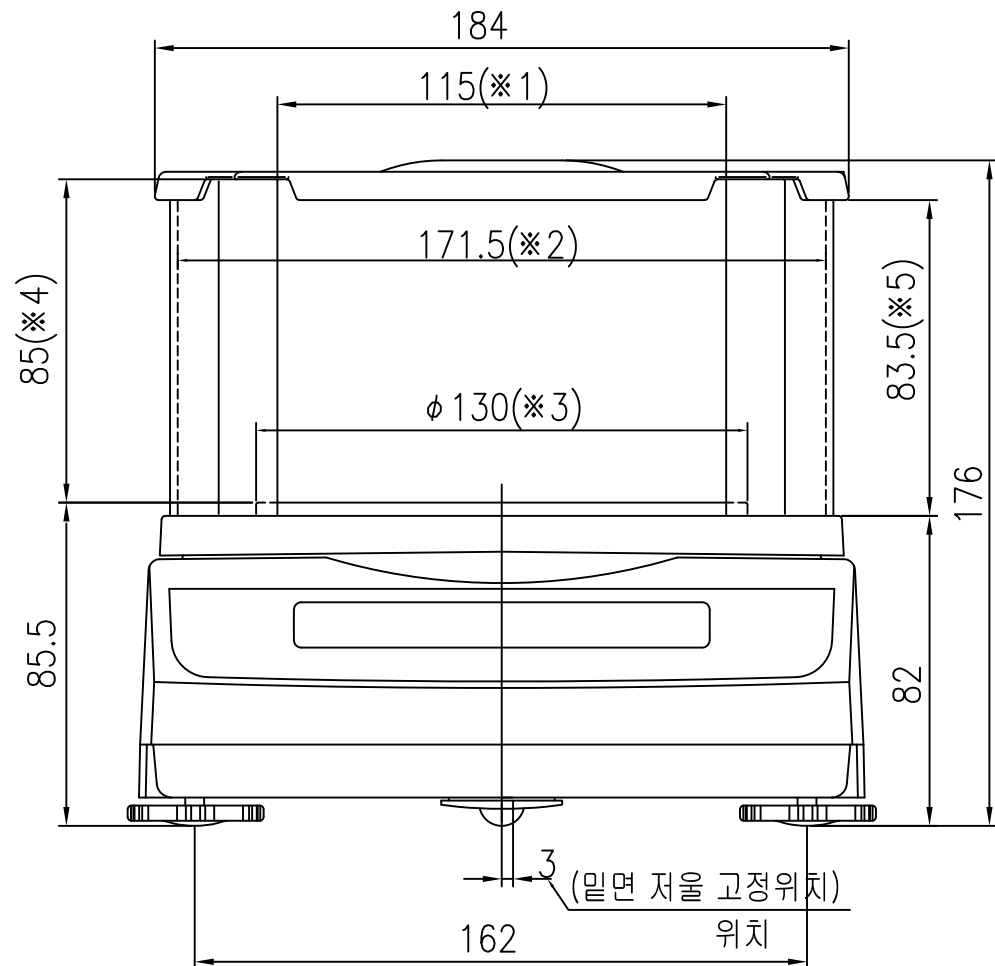
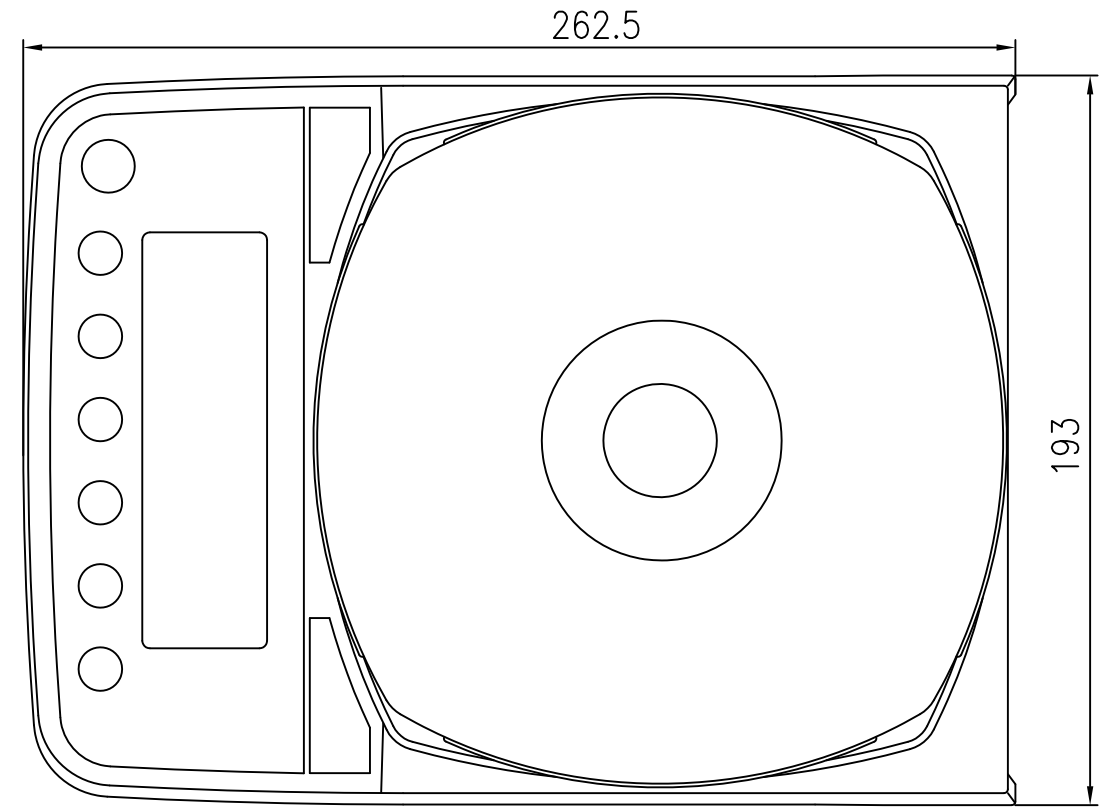


FX-120i/200i/300i
 FX-120iWP/200iWP/300iWP
 FZ-120i/200i/300i
 FZ-120iWP/200iWP/300iWP

- ※1: 투명한 판을 벗겼을 때 열리는 폭
- ※2: 내측치수
- ※3: 계량 짐판 외경
- ※4: 계량 짐판에서 덮개까지 높이(내측)
- ※5: 투명한 판을 벗겼을 때의 열리는 높이



CONFIDENTIAL

"All design, operative and process data pertaining to the article shown on this document is the property of A&D Korea Ltd. Information contained herein is disclosed in confidence, and is not to be copied, reproduced, revealed to or appropriated by others, in part or in whole, without the express consent of the management of A&D Korea. The document is loaned and must not be used in any manner detrimental to the interest of A&D Korea and must be returned upon request."

ALL DIMN. ARE IN mm UNLESS OTHERWISE SPECIFIED			DRAWN BY:	CHECKED BY:	APPROVED BY:	Mass = ____ kg
			DATE:	DATE:	DATE:	
GEN.TOL	A	B	C	 Head Office 8th Floor, Manhattan Bldg, 33, Gukjegeumyung-ro 6-gil, Youngdeungpo-gu, Seoul, South Korea Tel. (+82) 2 780 4101 Fax. (+82) 2 786 2991 www.andk.co.kr		TITLE:
0.5-3mm	±0.05	±0.1	±0.3			MODEL:
3-6mm	±0.05	±0.1	±0.3			FX_FZ-300i
6-30mm	±0.1	±0.2	±0.5			DRG. NO:
REMOVE ALL BURRS AND SHARP EDGES RADIUS/ CHAMFER 0.5 MAX			SCALE:	MATERIAL:	FINISHING:	PART NO:
3.2/ ALL OVER UNLESS OTHERWISE STATED						SIZE: A3