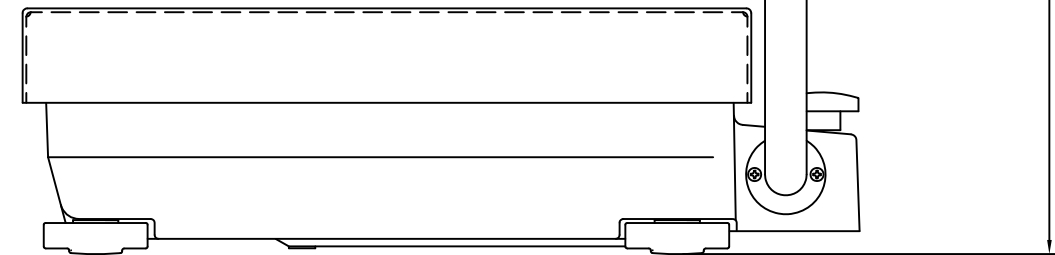
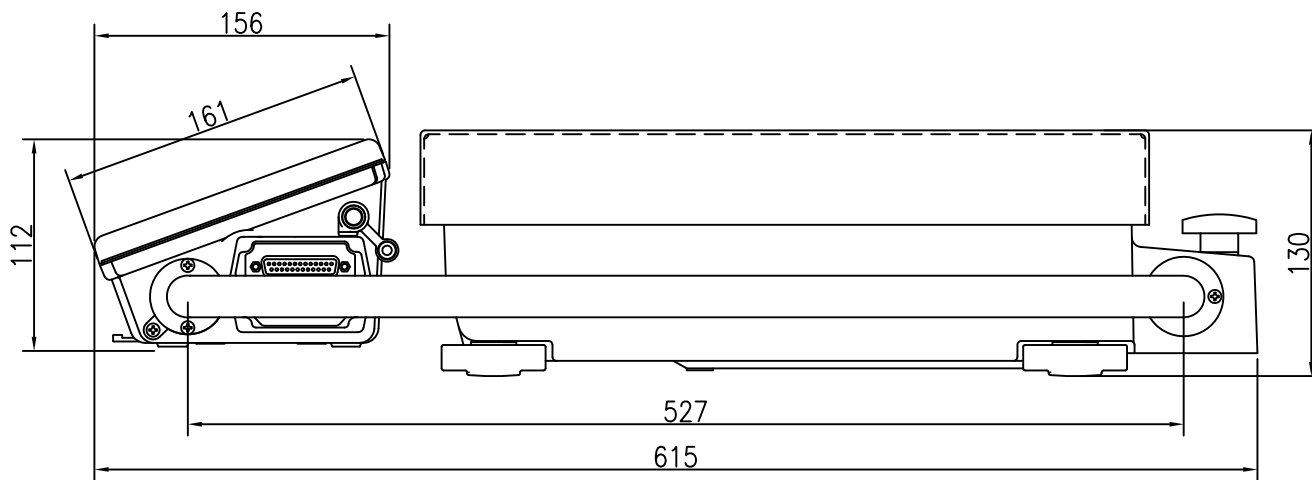
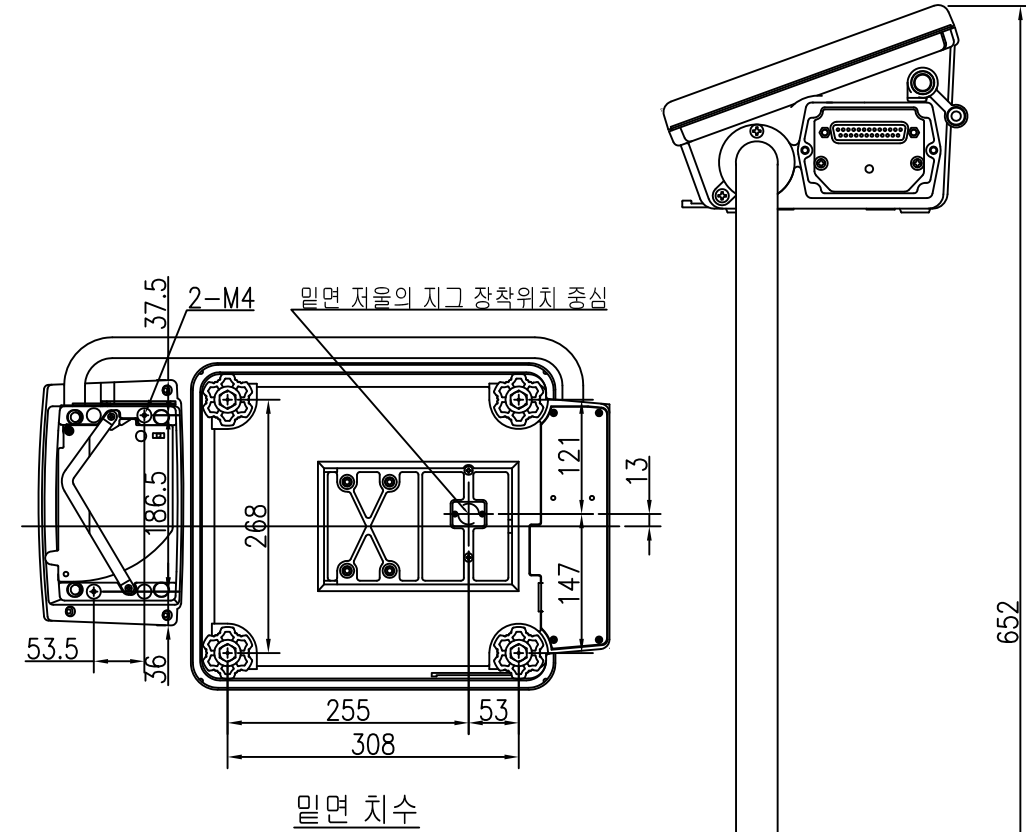
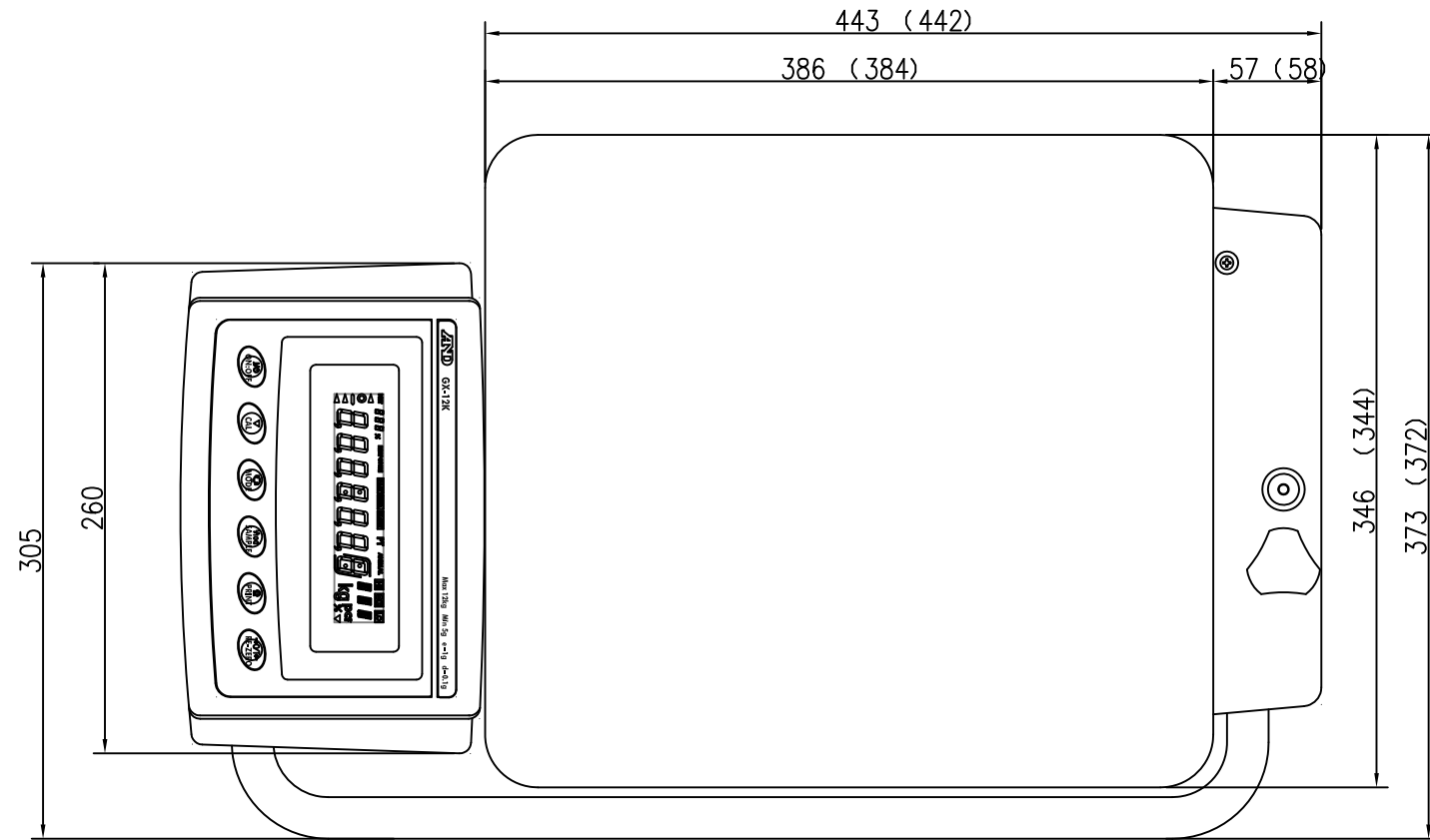


주기
 1.GP-102KR, 100KR, 102K, 100K의 외형치수를 나타내고
 괄호() 치수는 상기 2기종 이외의 치수입니다.



GP-102KR
GP-100KR
GP-60KR
GP-32KR
GP-30KR
GP-20KR
GP-12KR
GP-102K
GP-100K
GP-61K
GP-60K
GP-40K
GP-32K
GP-30K
GP-20K
GP-12K

CONFIDENTIAL

"All design, operative and process data pertaining to the article shown on this document is the property of A&D Korea Ltd. Information contained herein is disclosed in confidence, and is not to be copied, reproduced, revealed to or appropriated by others, in part or in whole, without the express consent of the management of A&D Korea. The document is loaned and must not be used in any manner detrimental to the interest of A&D Korea and must be returned upon request."

ALL DIMN. ARE IN mm UNLESS OTHERWISE SPECIFIED			DRAWN BY:	CHECKED BY:	APPROVED BY:	Mass = <u> </u> kg
			DATE:	DATE:	DATE:	
GEN.TOL	A	B	C	Head Office 8th Floor, Manhattan Bldg, 33. Gukjegeumyung-ro 6-gil, Youngdeungpo-gu, Seoul, South Korea Tel. (+82) 2 780 4101 Fax. (+82) 2 786 2991 www.andk.co.kr		TITLE:
0.5-3mm	± 0.05	± 0.1	± 0.3			MODEL:
3-6mm	± 0.05	± 0.1	± 0.3			GP 일체형
6-30mm	± 0.1	± 0.2	± 0.5			DRG. NO:
REMOVE ALL BURRS AND SHARP EDGES RADIUS/ CHAMFER 0.5 MAX			SCALE:	MATERIAL:	FINISHING:	PART NO:
3.2/ ALL OVER UNLESS OTHERWISE STATED						SIZE: A3